

# Extra Light Inch Series Ball Bearing

## 7500 Series — Extended Inner Ring



**Ring Material:** Standard AISI 52100 or 440C stainless steel equivalent.

**Ball Material:** Standard AISI 52100 or 440C stainless steel equivalent.

**Closures:** Double trash guard seals

**Seal materials:** NBR, EPDM, ACM, FKM and Silicone

**Seal contact type:** Standard or tight contact

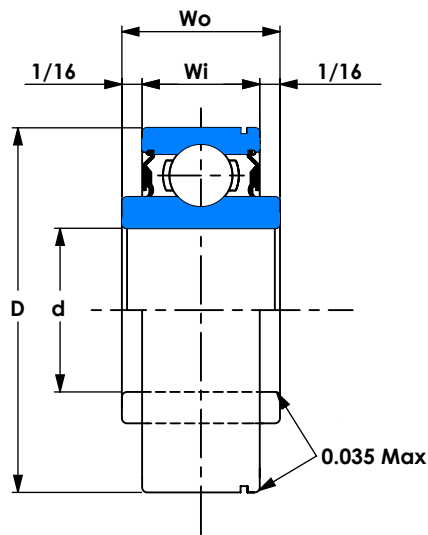
**Cage Design:** Crimped steel ribbon, crown steel cage, molded plastic cage, etc.

**Radial clearance:** C0 to C3, or as specified by the customer

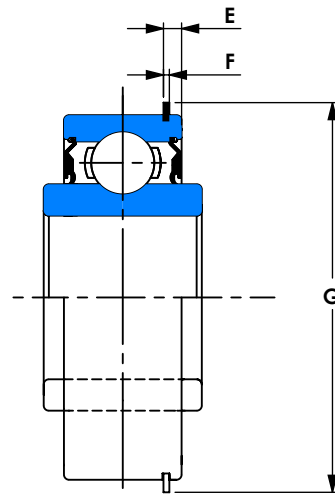
**Precision level:** Refer to tolerance in the table below

**Bearing noise level:** Standard (Z1)

**Lubricant:** Standard industrial grease



7500



7500DLG

WJB Bearing No		Bore d	Outer Diameter D		Width Wo	Width Wi	E	F	G	Basic Load Rating lbs	
		inch	inch	Tolerance	inch	inch				Static	Dynamic
		0/-0.0005			0/-0.0005	0/-0.0005	inch	inch	inch	Cor	Cr
7508DL	7508DLG	0.5000	1.7500	0/-0.0005	0.625	0.7500	0.136	0.042	1-59/64	657	1125
7510DL	7510DLG	0.6250	1.7500	0/-0.0005	0.625	0.7500	0.136	0.042	1-59/64	657	1125
7512DL	7512DLG	0.7500	1.7500	0/-0.0005	0.625	0.7500	0.136	0.042	1-59/64	657	1125
7514DL	7514DLG	0.8750	2.0000	0/-0.0006	0.625	0.7500	0.136	0.042	2-5/32	1020	1680
7516DL	7516DLG	1.0000	2.0000	0/-0.0006	0.625	0.7500	0.136	0.042	2-5/32	1020	1680
7518DL	7518DLG	1.1250	2.5625	0/-0.0006	0.750	0.8750	0.190	0.065	2-27/32	1708	2526
7520DL	7520DLG	1.2500	2.5625	0/-0.0006	0.750	0.8750	0.190	0.065	2-27/32	1708	2526

# Extra Light Inch Series Ball Bearing



## 7600 Series — Extended Inner Ring and Set Screws

**Ring Material:** Standard AISI 52100 or 440C stainless steel equivalent.

**Ball Material:** Standard AISI 52100 or 440C stainless steel equivalent.

**Closures:** Double trash guard seals

**Seal materials:** NBR, EPDM, ACM, FKM and Silicone

**Seal contact type:** Standard or tight contact

**Cage Design:** Crimped steel ribbon, crown steel cage, molded plastic cage, etc.

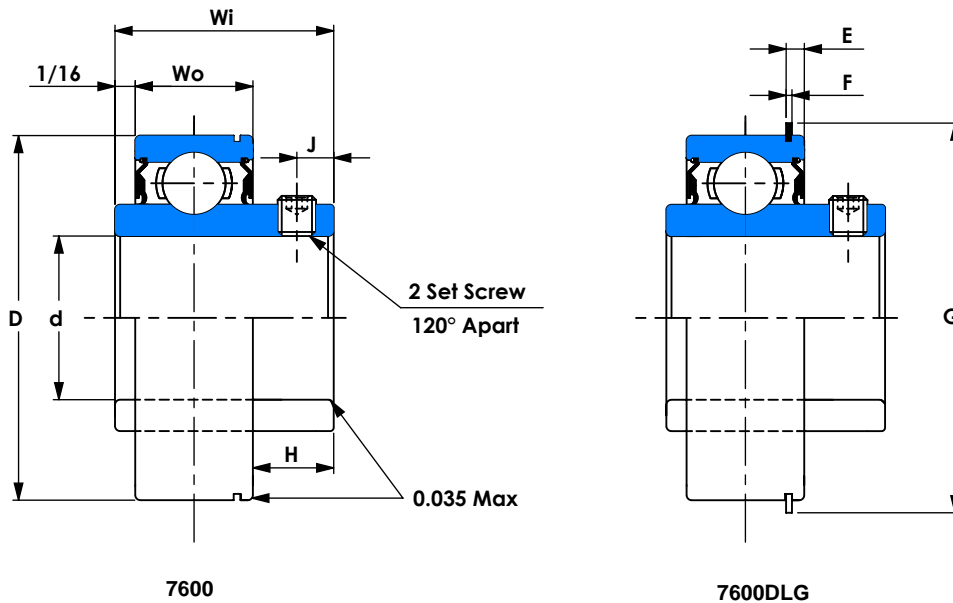
**Radial clearance:** C0 to C3, or as specified by the customer

**Precision level:** Refer to tolerance in the table below

**Bearing noise level:**

**Lubricant:** Standard industrial grease

**Set Screw:** Size 10-32 for 7608-7612; Size 1/4-28 for 7613-7620



WJB Bearing No		Bore	Outer Diameter		Width	Width	E	F	G	H	J	Basic Load Rating lbs	
		d	D	Wo	Wi	Static						Dynamic	
		inch	inch	Tolerance	inch								inch
		0/-0.0005			0/-0.0005	0/-0.0005	inch	inch	inch	inch	inch		
7608DL	7608DLG	0.5000	1.7500	0/-0.0005	0.625	0.750	0.136	0.042	1-59/64	0.405	0.233	657	1125
7610DL	7610DLG	0.6250	1.7500	0/-0.0005	0.625	0.750	0.136	0.042	1-59/64	0.405	0.233	657	1125
7612DL	7612DLG	0.7500	1.7500	0/-0.0005	0.625	0.750	0.136	0.042	1-59/64	0.405	0.233	657	1125
7614DL	7614DLG	0.8750	2.0000	0/-0.0006	0.625	0.750	0.136	0.042	2-5/32	0.492	0.261	1020	1680
7616DL	7616DLG	1.0000	2.0000	0/-0.0006	0.625	0.750	0.136	0.042	2-5/32	0.492	0.261	1020	1680
7618DL	7618DLG	1.1250	2.5625	0/-0.0006	0.750	0.875	0.190	0.065	2-27/32	0.605	0.261	1708	2526
7620DL	7620DLG	1.2500	2.5625	0/-0.0006	0.750	0.875	0.190	0.065	2-27/32	0.605	0.261	1708	2526