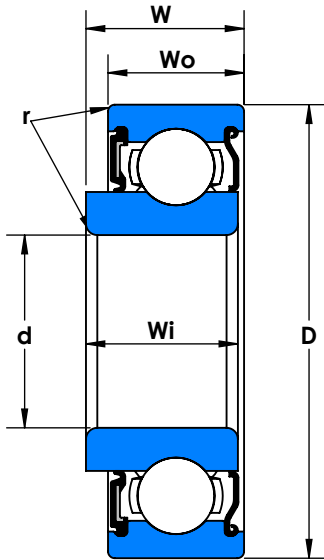


Felt Series Radial Ball Bearing with Extended Inner Ring

8000 & 87000 Series



87000 Series

Ring Material: Standard AISI 52100 or 440C stainless steel equivalent.

Ball Material: Standard AISI 52100 or 440C stainless steel equivalent.

Closures: 8000 series with single seal or shield, 87000 series with seal and shield.

Seal materials: NBR, EPDM, ACM, FKM and Silicone

Seal contact type: Standard, light and tight contact

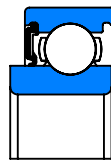
Cage Design: Crimped steel ribbon, crown steel cage, molded plastic cage, etc.

Radial clearance: C0 to C3, or as specified by the customer

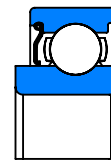
Precision level: Abec 1 or as specified by the customer

Bearing noise level: Standard (i.e. Z1 or V1) to Z3 or V3

Lubricant: Standard industrial grease



8000 Series
Single Seal



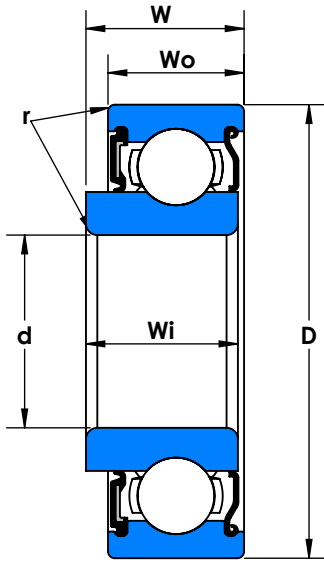
8000 Series
Single Shield

WJB Bearing No		Bore d		Outer Diameter D		Width						Radius r*		Basic Loading Rating kN		Weight (Ref) kg
		mm	inch	mm	inch	Wo		Wi		W		mm	inch	Dynamic Cr	Static Cor	
8000	87000					mm	inch	mm	inch	mm	inch					
8035	87035	5	0.1969	19	0.7480	8	0.3150	9.804	0.3860	10.319	0.4063	0.3	0.012	2.3	0.9	0.010
8036	87036	6	0.2362	19	0.7480	8	0.3150	9.804	0.3860	10.319	0.4063	0.3	0.012	2.3	0.9	0.011
8006	87006	6	0.2362	24	0.9449	8	0.3150	9.804	0.3860	10.319	0.4063	0.3	0.012	3.3	1.4	0.021
8037	87037	7	0.2756	22	0.8661	8	0.3150	9.804	0.3860	10.319	0.4063	0.3	0.012	3.3	1.4	0.017
8007	87007	7	0.2756	24	0.9449	8	0.3150	9.804	0.3860	10.319	0.4063	0.3	0.012	4.0	1.6	0.020
8038	87038	8	0.3150	22	0.8661	8	0.3150	9.804	0.3860	10.319	0.4063	0.3	0.012	3.3	1.4	0.016
8008	87008	8	0.3150	24	0.9449	8	0.3150	9.804	0.3860	10.319	0.4063	0.3	0.012	4.0	1.6	0.022
8039	87039	9	0.3543	26	1.0236	8	0.3150	9.804	0.3860	10.319	0.4063	0.6	0.024	4.6	2.0	0.023
8009	87009	9	0.3543	30	1.1811	9	0.3543	12.192	0.4800	12.7	0.5000	0.6	0.024	5.1	2.4	0.035
8500	87500	10	0.3937	30	1.1811	9	0.3543	12.192	0.4800	12.7	0.5000	0.6	0.024	5.1	2.4	0.034
8011	87011	11	0.4331	32	1.2598	10	0.3937	12.192	0.4800	12.7	0.5000	0.6	0.024	6.1	2.7	0.045
8501	87501	12	0.4724	32	1.2598	10	0.3937	12.192	0.4800	12.7	0.5000	0.6	0.024	6.1	2.7	0.043
8013	87013	13	0.5118	32	1.2598	10	0.3937	12.624	0.4970	12.7	0.5000	0.6	0.024	6.1	2.7	0.041
8014	87014	14	0.5512	35	1.3780	11	0.4331	12.624	0.4970	12.7	0.5000	0.6	0.024	7.7	3.6	0.050
8502	87502	15	0.5906	35	1.3780	11	0.4331	12.624	0.4970	12.7	0.5000	0.6	0.024	7.7	3.6	0.048
8016	87016	16	0.6299	35	1.3780	11	0.4331	12.624	0.4970	12.7	0.5000	0.6	0.024	7.7	3.6	0.046
8602	87602	15	0.5906	42	1.6535	13	0.5118	14	0.5512	15	0.5906	1.0	0.039	11.5	5.4	0.085
8503	87503	17	0.6693	40	1.5748	12	0.4724	13.665	0.5380	14.288	0.5625	1.0	0.039	9.6	4.6	0.068
8603	87603	17	0.6693	47	1.8504	14	0.5512	15	0.5906	16	0.6299	1.0	0.039	13.6	6.5	0.115
8504	87504	20	0.7874	47	1.8504	14	0.5512	15.24	0.6000	15.875	0.6250	1.0	0.039	12.9	6.7	0.105
8604	87604	20	0.7874	52	2.0472	15	0.5906	18	0.7087	19	0.7480	1.0	0.039	16.0	7.9	0.157
8505	87505	25	0.9843	52	2.0472	15	0.5906	15.24	0.6000	15.875	0.6250	1.0	0.039	14.0	7.9	0.130

*Maximum fillet which corner radius of bearing will clear

Felt Series Radial Ball Bearing with Extended Inner Ring

8000 & 87000 Series



87000 Series

Ring Material: Standard AISI 52100 or 440C stainless steel equivalent.

Ball Material: Standard AISI 52100 or 440C stainless steel equivalent.

Closures: 8000 series with single seal or shield, 87000 series with seal and shield.

Seal materials: NBR, EPDM, ACM, FKM and Silicone

Seal contact type: Standard, light and tight contact

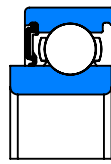
Cage Design: Crimped steel ribbon, crown steel cage, molded plastic cage, etc.

Radial clearance: C0 to C3, or as specified by the customer

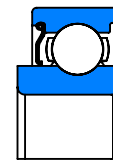
Precision level: Abec 1 or as specified by the customer

Bearing noise level: Standard (i.e. Z1 or V1) to Z3 or V3

Lubricant: Standard industrial grease



8000 Series
Single Seal



8000 Series
Single Shield

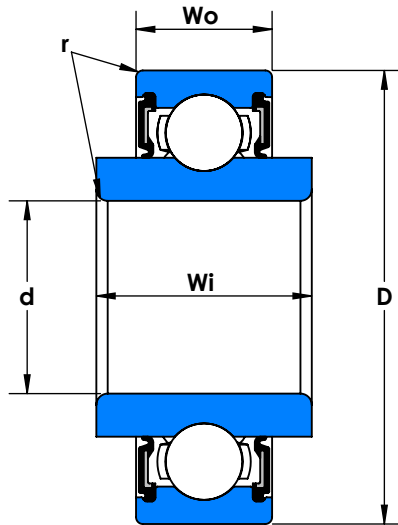
WJB Bearing No		Bore d		Outer Diameter D		Width						Radius r*		Basic Loading Rating kN		Weight (Ref) kg
		mm	inch	mm	inch	Wo		Wi		W		mm	inch	Dynamic Cr	Static Cor	
8000	87000					mm	inch	mm	inch	mm	inch					
8605	87605	25	0.9843	62	2.4409	17	0.6693	21	0.8268	21	0.8268	1.0	0.039	21.1	10.9	0.295
8026	87026	26	1.0236	52	2.0472	15	0.5906	15.24	0.6000	15.875	0.6250	1.0	0.039	14.0	7.9	0.133
8506	87506	30	1.1811	62	2.4409	16	0.6299	19	0.7480	20	0.7874	1.0	0.039	19.6	11.3	0.259
8606	87606	30	1.1811	72	2.8346	19	0.7480	23	0.9055	23	0.9055	1.0	0.039	26.7	15.1	0.347
8507	87507	35	1.3780	72	2.8346	17	0.6693	20	0.7874	21	0.8268	1.0	0.039	25.6	15.3	0.347
8607	87607	35	1.3780	80	3.1496	21	0.8268	25	0.9843	25	0.9843	1.5	0.059	33.4	19.1	0.545
8508	87508	40	1.5748	80	3.1496	21	0.8268	24	0.9449	24	0.9449	1.0	0.039	29.1	17.8	0.536
8608	87608	40	1.5748	90	3.5433	23	0.9055	27	1.0630	27	1.0630	1.5	0.059	40.7	24.0	0.749
8509	87509	45	1.7717	85	3.3465	21	0.8268	24	0.9449	24	0.9449	1.0	0.039	32.7	20.5	0.554
8609	87609	45	1.7717	100	3.9370	25	0.9843	30	1.1811	30	1.1811	1.5	0.059	52.9	32.0	0.994
8510	87510	50	1.9685	90	3.5433	22	0.8661	26	1.0236	26	1.0236	1.0	0.039	35.1	23.1	0.636
8511	87511	55	2.1654	100	3.9370	23	0.9055	27	1.0630	27	1.0630	1.5	0.059	43.4	29.1	0.808
8512	87512	60	2.3622	110	4.3307	25	0.9843	29	1.1417	29	1.1417	1.5	0.059	52.5	36.3	1.062
8513	87513	65	2.559	120	4.724	26	1.024	31	1.22	31	1.22	1.5	0.059	57.4	40.0	1.267
8514	87514	70	2.756	125	4.921	28	1.102	33	1.299	33	1.299	1.5	0.059	62.3	44.0	1.362

*Maximum fillet which corner radius of bearing will clear

Felt Series Radial Ball Bearing with Extended Inner Ring



88000 Series



88000 Series

Ring Material: Standard AISI 52100 or 440C stainless steel equivalent.

Ball Material: Standard AISI 52100 or 440C stainless steel equivalent.

Closures: Two rubber seals

Seal materials: NBR, EPDM, ACM, FKM and Silicone

Seal contact type: Standard, light and tight contact

Cage Design: Crimped steel ribbon, crown steel cage, molded plastic cage, etc.

Radial clearance: C0 to C3, or as specified by the customer

Precision level: Abec 1 or as specified by the customer

Bearing noise level: Standard (i.e. Z1 or V1) to Z3 or V3

Lubricant: Standard industrial grease

The 88000 Series is identical to 8000 and 87000 series, except for the closure type, 88000 series comes with 2 Buna N seals on both sides which can provide maximum protection from outside contamination.

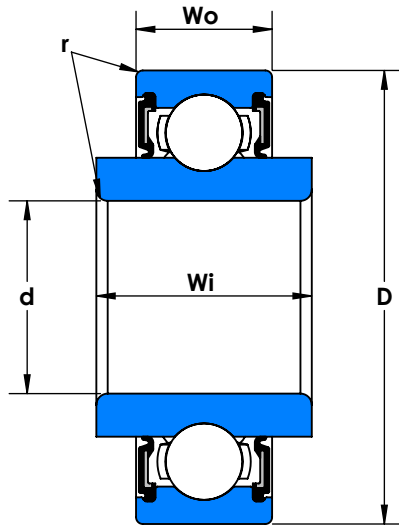
WJB Bearing No	Bore d		Outer Diameter D		Width				Radius r*		Basic Loading Rating kN		Weight (Ref) kg
	mm	inch	mm	inch	Wo		Wi		mm	inch	Dynamic Cr	Static Cor	
					mm	inch	mm	inch					
88035	5	0.1969	19	0.7480	8	0.3150	12.624	0.4970	0.3	0.012	2.3	0.9	0.012
88036	6	0.2362	19	0.7480	8	0.3150	12.624	0.4970	0.3	0.012	2.3	0.9	0.012
88006	6	0.2362	24	0.9449	8	0.3150	12.624	0.4970	0.3	0.012	3.3	1.4	0.025
88037	7	0.2756	22	0.8661	8	0.3150	12.624	0.4970	0.3	0.012	3.3	1.4	0.020
88007	7	0.2756	24	0.9449	8	0.3150	12.624	0.4970	0.3	0.012	4.0	1.6	0.023
88038	8	0.3150	22	0.8661	8	0.3150	12.624	0.4970	0.3	0.012	3.3	1.4	0.018
88008	8	0.3150	24	0.9449	8	0.3150	12.624	0.4970	0.3	0.012	4.0	1.6	0.022
88039	9	0.3543	26	1.0236	8	0.3150	12.624	0.4970	0.6	0.024	4.6	2.0	0.026
88009	9	0.3543	30	1.1811	9	0.3543	16.401	0.6457	0.6	0.024	5.1	2.4	0.048
88500	10	0.3937	30	1.1811	9	0.3543	16.401	0.6457	0.6	0.024	5.1	2.4	0.041
88011	11	0.4331	32	1.2598	10	0.3937	15.40	0.6063	0.6	0.024	6.1	2.7	0.047
88501	12	0.4724	32	1.2598	10	0.3937	15.40	0.6063	0.6	0.024	6.1	2.7	0.045
88013	13	0.5118	32	1.2598	10	0.3937	15.40	0.6063	0.6	0.024	6.1	2.7	0.043
88014	14	0.5512	35	1.3780	11	0.4331	14.399	0.5669	0.6	0.024	7.7	3.6	0.057
88502	15	0.5906	35	1.3780	11	0.4331	14.399	0.5669	0.6	0.024	7.7	3.6	0.054
88016	16	0.6299	35	1.3780	11	0.4331	14.399	0.5669	0.6	0.024	7.7	3.6	0.052
88602	15	0.5906	42	1.6535	13	0.5118	17	0.6693	1.0	0.039	11.5	5.4	0.095
88503	17	0.6693	40	1.5748	12	0.4724	16.601	0.6536	1.0	0.039	9.6	4.6	0.075
88603	17	0.6693	47	1.8504	14	0.5512	18	0.7087	1.0	0.039	13.6	6.5	0.127
88504	20	0.7874	47	1.8504	14	0.5512	17.75	0.6988	1.0	0.039	12.9	6.7	0.118
88604	20	0.7874	52	2.0472	15	0.5906	23	0.9055	1.0	0.039	16.0	7.9	0.181
88505	25	0.9843	52	2.0472	15	0.5906	16.749	0.6594	1.0	0.039	14.0	7.9	0.138

*Maximum fillet which corner radius of bearing will clear

Felt Series Radial Ball Bearing with Extended Inner Ring



88000 Series



88000 Series

Ring Material: Standard AISI 52100 or 440C stainless steel equivalent.

Ball Material: Standard AISI 52100 or 440C stainless steel equivalent.

Closures: Two rubber seals

Seal materials: NBR, EPDM, ACM, FKM and Silicone

Seal contact type: Standard, light and tight contact

Cage Design: Crimped steel ribbon, crown steel cage, molded plastic cage, etc.

Radial clearance: C0 to C3, or as specified by the customer

Precision level: Abec 1 or as specified by the customer

Bearing noise level: Standard (i.e. Z1 or V1) to Z3 or V3

Lubricant: Standard industrial grease

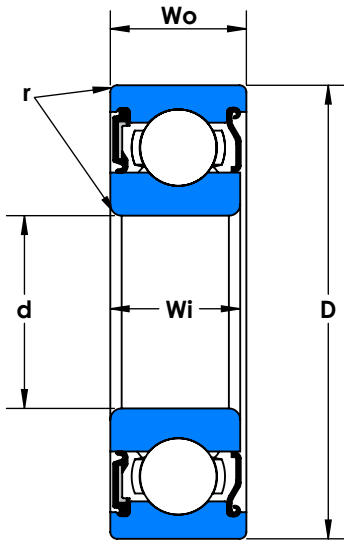
The 88000 Series is identical to 8000 and 87000 series, except for the closure type, 88000 series comes with 2 Buna N seals on both sides which can provide maximum protection from outside contamination.

WJB Bearing No	Bore d		Outer Diameter D		Width				Radius r*		Basic Loading Rating kN		Weight (Ref) kg
	mm	inch	mm	inch	Wo		Wi		mm	inch	Dynamic Cr	Static Cor	
					mm	inch	mm	inch					
88605	25	0.9843	62	2.4409	17	0.6693	25	0.9843	1.0	0.039	21.1	10.9	0.295
88026	26	1.0236	52	2.0472	15	0.5906	16.749	0.6594	1.0	0.039	14.0	7.9	0.133
88506	30	1.1811	62	2.4409	16	0.6299	24	0.9449	1.0	0.039	19.6	11.3	0.259
88606	30	1.1811	72	2.8346	19	0.7480	27	1.0630	1.0	0.039	26.7	15.1	0.440
88507	35	1.3780	72	2.8346	17	0.6693	25	0.9843	1.0	0.039	25.6	15.3	0.347
88607	35	1.3780	80	3.1496	21	0.8268	29	1.1417	1.5	0.059	33.4	19.1	0.545
88508	40	1.5748	80	3.1496	21	0.8268	27	1.0630	1.0	0.039	29.1	17.8	0.536
88608	40	1.5748	90	3.5433	23	0.9055	31	1.2205	1.5	0.059	40.7	24.0	0.749
88509	45	1.7717	85	3.3465	21	0.8268	27	1.0630	1.0	0.039	32.7	20.5	0.554
88609	45	1.7717	100	3.9370	25	0.9843	35	1.3780	1.5	0.059	52.9	32.0	0.994
88510	50	1.9685	90	3.5433	22	0.8661	30	1.1811	1.0	0.039	35.1	23.1	0.636
88511	55	2.1654	100	3.9370	23	0.9055	31	1.2205	1.5	0.059	43.4	29.1	0.808
88512	60	2.3622	110	4.3307	25	0.9843	33	1.2992	1.5	0.059	52.5	36.3	1.062
88513	65	2.5591	120	4.7244	26	1.0236	36	1.4173	1.5	0.059	57.4	40.0	1.385
88514	70	2.7559	125	4.9213	28	1.1024	38	1.4961	1.5	0.059	62.3	44.0	1.650

*Maximum fillet which corner radius of bearing will clear

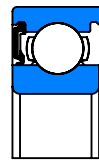
Felt Series Radial Ball Bearing with Extended Inner Ring

WC8000 & WC87000 Series, Wide Outer Ring

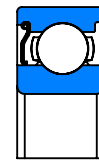


- Ring Material:** Standard AISI 52100 or 440C stainless steel equivalent
- Ball Material:** Standard AISI 52100 or 440C stainless steel equivalent
- Closures:** WC8000 series with single seal/shield, WC87000 series with seal and shield
- Seal materials:** NBR, EPDM, ACM, FKM and Silicone
- Seal contact type:** Standard, light and tight contact
- Cage Design:** Crimped steel ribbon, crown steel cage, molded plastic cage, etc
- Radial clearance:** C0 to C3, or as specified by the customer
- Precision level:** Abec 1 or as specified by the customer
- Bearing noise level:** Standard (i.e. Z1 or V1) to Z3 or V3
- Lubricant:** Standard industrial grease

WC87000 Series



WC8000 Series
Single Seal



WC8000 Series
Single Shield

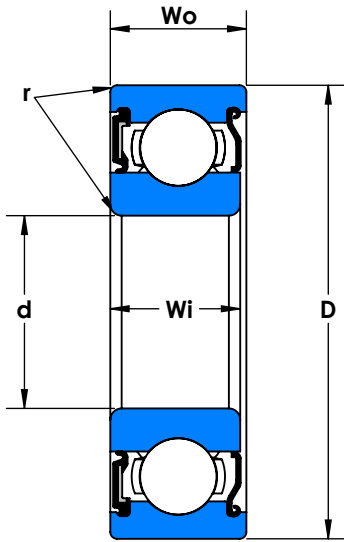
WJB Bearing No		Bore d		Outer Diameter D		Width				Radius r*		Basic Loading Rating kN		Weight (Ref) kg
		mm	inch	mm	inch	Wo		Wi		mm	inch	Dynamic Cr	Static Cor	
						mm	inch	mm	inch					
WC8000	WC87000													
WC8006	WC87006	6	0.2362	24	0.9449	10.319	0.3150	9.804	0.3860	0.3	0.012	3.3	1.4	0.060
WC8007	WC87007	7	0.2756	24	0.9449	10.319	0.3150	9.804	0.3860	0.3	0.012	4.0	1.6	0.051
WC8008	WC87008	8	0.3150	24	0.9449	10.319	0.3150	9.804	0.3860	0.3	0.012	4.0	1.6	0.050
WC8009	WC87009	9	0.3543	30	1.1811	12.700	0.3543	12.192	0.4800	0.6	0.024	5.1	2.4	0.105
WC8011	WC87011	11	0.4331	32	1.2598	12.700	0.3937	12.192	0.4800	0.6	0.024	6.1	2.7	0.110
WC8013	WC87013	13	0.5118	32	1.2598	12.700	0.3937	12.624	0.4970	0.6	0.024	6.1	2.7	0.100
WC8014	WC87014	14	0.5512	35	1.3780	12.700	0.4331	12.624	0.4970	0.6	0.024	7.7	3.6	0.110
WC8016	WC87016	16	0.6299	35	1.3780	12.700	0.4331	12.624	0.4970	0.6	0.024	7.7	3.6	0.114
WC8026	WC87026	26	1.0236	52	2.0472	15.875	0.6250	15.240	0.6000	1.0	0.039	14.0	7.9	0.289
WC8035	WC87035	5	0.1969	19	0.7480	10.319	0.4063	9.804	0.3860	0.3	0.012	2.3	0.9	0.026
WC8036	WC87036	6	0.2362	19	0.7480	10.319	0.4063	9.804	0.3860	0.3	0.012	2.3	0.9	0.027
WC8037	WC87037	7	0.2756	22	0.8661	10.319	0.4063	9.804	0.3860	0.3	0.012	3.3	1.4	0.043
WC8038	WC87038	8	0.3150	22	0.8661	10.319	0.4063	9.804	0.3860	0.3	0.012	3.3	1.4	0.040
WC8039	WC87039	9	0.3543	26	1.0236	10.319	0.4063	9.804	0.3860	0.6	0.024	4.6	2.0	0.060
WC8500	WC87500	10	0.3937	30	1.1811	12.700	0.5000	12.192	0.4800	0.6	0.024	5.2	2.4	0.090

This WC series is made with wider outer ring which will offer a greater contact with the housing. It will help reduce creeping and distortion of the housing bore, thus can be used in a softer metal housing.

*Maximum fillet which corner radius of bearing will clear

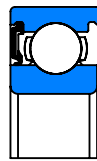
Felt Series Radial Ball Bearing with Extended Inner Ring

WC8000 & WC87000 Series, Wide Outer Ring

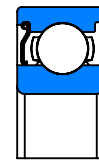


WC87000 Series

- Ring Material:** Standard AISI 52100 or 440C stainless steel equivalent
- Ball Material:** Standard AISI 52100 or 440C stainless steel equivalent
- Closures:** WC8000 series with single seal/shield, WC87000 series with seal and shield
- Seal materials:** NBR, EPDM, ACM, FKM and Silicone
- Seal contact type:** Standard, light and tight contact
- Cage Design:** Crimped steel ribbon, crown steel cage, molded plastic cage, etc
- Radial clearance:** C0 to C3, or as specified by the customer
- Precision level:** Abec 1 or as specified by the customer
- Bearing noise level:** Standard (i.e. Z1 or V1) to Z3 or V3
- Lubricant:** Standard industrial grease



WC8000 Series
Single Seal



WC8000 Series
Single Shield

WJB Bearing No		Bore d		Outer Diameter D		Width				Radius r*		Basic Loading Rating kN		Weight (Ref) kg
		mm	inch	mm	inch	Wo		Wi		mm	inch	Dynamic Cr	Static Cor	
						mm	inch	mm	inch					
WC8000	WC87000													
WC8501	WC87501	12	0.4724	32	1.2598	12.700	0.5000	12.192	0.4800	0.6	0.024	6.1	2.7	0.045
WC8502	WC87502	15	0.5906	35	1.3780	12.700	0.5000	12.192	0.4800	0.6	0.024	7.7	3.6	0.054
WC8503	WC87503	17	0.6693	40	1.5748	14.288	0.5625	13.665	0.5380	0.6	0.024	9.6	4.9	0.077
WC8504	WC87504	20	0.7874	47	1.8504	15.875	0.6250	15.240	0.6000	1.0	0.039	12.9	6.7	0.118
WC8505	WC87505	25	0.9843	52	2.0472	15.875	0.6250	15.240	0.6000	1.0	0.039	14.0	7.9	0.138
WC8506	WC87506	30	1.1811	62	2.4409	20	0.7874	19	0.7480	1.0	0.039	19.6	11.3	0.246
WC8507	WC87507	35	1.3780	71	2.7953	21	0.8268	20	0.7874	1.0	0.039	25.6	15.3	0.347
WC8508	WC87508	40	1.5748	80	3.1496	24	0.9449	24	0.9449	1.0	0.039	29.1	17.8	0.535
WC8509	WC87509	45	1.7717	85	3.3465	24	0.9449	24	0.9449	1.0	0.039	32.7	20.5	0.553
WC8510	WC87510	50	1.9685	90	3.5433	26	1.0236	26	1.0236	1.0	0.039	35.1	23.1	0.572
WC8511	WC87511	55	2.1654	100	3.9370	27	1.0630	27	1.0630	1.5	0.059	43.4	29.1	0.739

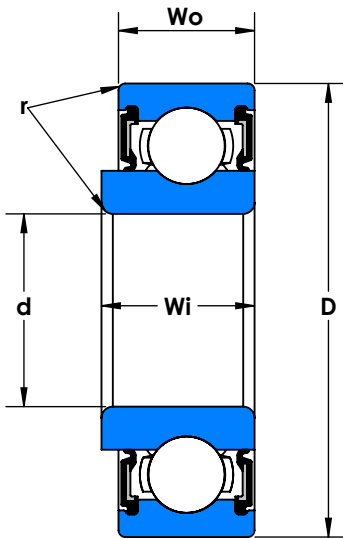
This WC series is made with wider outer ring which will offer a greater contact with the housing. It will help reduce creeping and distortion of the housing bore, thus can be used in a softer metal housing.

*Maximum fillet which corner radius of bearing will clear

Felt Series Radial Ball Bearing with Extended Inner Ring



WC88000, Wide Outer Ring



Ring Material: Standard AISI 52100 or 440C stainless steel equivalent

Ball Material: Standard AISI 52100 or 440C stainless steel equivalent

Closures: Two rubber seal

Seal materials: NBR, EPDM, ACM, FKM and Silicone

Seal contact type: Standard, light and tight contact

Cage Design: Crimped steel ribbon, crown steel cage, molded plastic cage, etc

Radial clearance: C0 to C3, or as specified by the customer

Precision level: Abec 1 or as specified by the customer

Bearing noise level: Standard (i.e. Z1 or V1) to Z3 or V3

Lubricant: Standard industrial grease

This WC series is made with wider outer ring which will offer a greater contact with the housing. It will help reduce creeping and distortion of the housing bore, thus can be used in a softer metal housing.

WC88000 Series

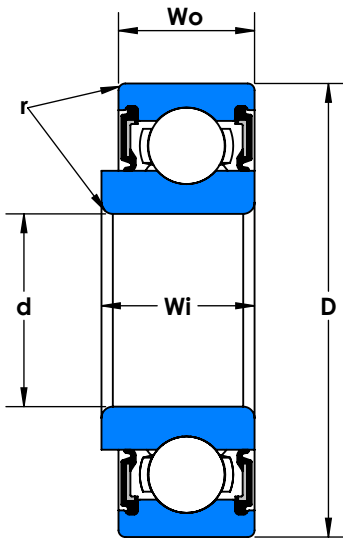
WJB Bearing No	Bore d		Outer Diameter D		Width				Radius r*		Basic Loading Rating kN		Weight (Ref) kg
	mm	inch	mm	inch	Wo		Wi		mm	inch	Dynamic Cr	Static Cor	
					mm	inch	mm	inch					
WC88000													
WC88006	6	0.2362	24	0.9449	10.319	0.3150	12.624	0.3860	0.3	0.012	3.3	1.4	0.027
WC88007	7	0.2756	24	0.9449	10.319	0.3150	12.624	0.3860	0.3	0.012	4.0	1.6	0.023
WC88008	8	0.3150	24	0.9449	10.319	0.3150	12.624	0.3860	0.3	0.012	4.0	1.6	0.023
WC88009	9	0.3543	30	1.1811	12.700	0.3543	16.401	0.4800	0.6	0.024	5.1	2.4	0.050
WC88011	11	0.4331	32	1.2598	12.700	0.3937	15.400	0.4800	0.6	0.024	6.1	2.7	0.045
WC88013	13	0.5118	32	1.2598	12.700	0.3937	15.400	0.4970	0.6	0.024	6.1	2.7	0.045
WC88014	14	0.5512	35	1.3780	12.700	0.4331	14.399	0.4970	0.6	0.024	7.7	3.6	0.057
WC88016	16	0.6299	35	1.3780	12.700	0.4331	14.399	0.4970	0.6	0.024	7.7	3.6	0.054
WC88026	26	1.0236	52	2.0472	15.875	0.6250	16.749	0.6594	1.0	0.039	14.0	7.9	0.131
WC88035	5	0.1969	19	0.7480	10.319	0.4063	12.624	0.4970	0.3	0.012	2.3	0.9	0.014
WC88036	6	0.2362	19	0.7480	10.319	0.4063	12.624	0.4970	0.3	0.012	2.3	0.9	0.014
WC88037	7	0.2756	22	0.8661	10.319	0.4063	12.624	0.4970	0.3	0.012	3.3	1.4	0.028
WC88038	8	0.3150	22	0.8661	10.319	0.4063	12.624	0.4970	0.3	0.012	3.3	1.4	0.018
WC88039	9	0.3543	26	1.0236	10.319	0.4063	12.624	0.4970	0.6	0.024	4.6	2.0	0.027
WC88500	10	0.3937	30	1.1811	12.700	0.5000	16.401	0.6457	0.6	0.024	5.2	2.4	0.041

*Maximum fillet which corner radius of bearing will clear

Felt Series Radial Ball Bearing with Extended Inner Ring



WC88000, Wide Outer Ring



Ring Material: Standard AISI 52100 or 440C stainless steel equivalent

Ball Material: Standard AISI 52100 or 440C stainless steel equivalent

Closures: Two rubber seal

Seal materials: NBR, EPDM, ACM, FKM and Silicone

Seal contact type: Standard, light and tight contact

Cage Design: Crimped steel ribbon, crown steel cage, molded plastic cage, etc

Radial clearance: C0 to C3, or as specified by the customer

Precision level: Abec 1 or as specified by the customer

Bearing noise level: Standard (i.e. Z1 or V1) to Z3 or V3

Lubricant: Standard industrial grease

This WC series is made with wider outer ring which will offer a greater contact with the housing. It will help reduce creeping and distortion of the housing bore, thus can be used in a softer metal housing.

WC88000 Series

WJB Bearing No	Bore d		Outer Diameter D		Width				Radius r*		Basic Loading Rating kN		Weight (Ref) kg
	mm	inch	mm	inch	Wo		Wi		mm	inch	Dynamic Cr	Static Cor	
					mm	inch	mm	inch					
WC88000													
WC88501	12	0.2362	32	0.9449	12.700	0.3150	15.400	0.3860	0.6	0.012	6.1	2.7	0.045
WC88502	15	0.2756	35	0.9449	12.700	0.3150	14.399	0.3860	0.6	0.012	7.7	3.6	0.054
WC88503	17	0.3150	40	0.9449	14.288	0.3150	16.601	0.3860	0.6	0.012	9.6	4.9	0.077
WC88504	20	0.3543	47	1.1811	15.875	0.3543	17.750	0.4800	1.0	0.024	12.9	6.7	0.117
WC88505	25	0.4331	52	1.2598	15.875	0.3937	16.749	0.4800	1.0	0.024	14.0	7.9	0.138
WC88506	30	0.5118	62	1.2598	20	0.3937	24	0.4970	1.0	0.024	19.6	11.3	0.237
WC88507	35	0.5512	72	1.3780	21	0.4331	25	0.4970	1.0	0.024	25.6	15.3	0.340
WC88508	40	0.6299	80	1.3780	24	0.4331	27	0.4970	1.0	0.024	29.1	17.8	0.535
WC88509	45	1.7717	85	3.3465	24	0.9449	27	1.0630	1.0	0.039	32.7	20.5	0.553
WC88510	50	1.9685	90	3.5433	26	1.0236	30	1.1811	1.0	0.039	35.1	23.1	0.590
WC88511	55	2.1654	100	3.9370	27	1.0630	31	1.2205	1.5	0.059	43.4	29.1	0.753

*Maximum fillet which corner radius of bearing will clear