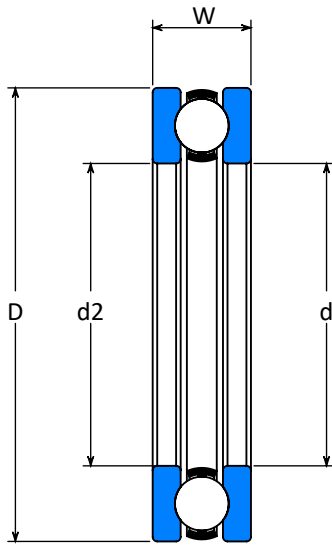


Single Direction Thrust Ball Bearing (51100, 51200, 51300)



These single direction thrust ball bearing series are designed to accommodate axial loads only and must not be subjected to any radial load.

Ring material: Standard AISI 52100 or 440 stainless steel equivalent

Axial Clearance: Can be customized per customer

Cages: Plastic cages and pressed steel cages

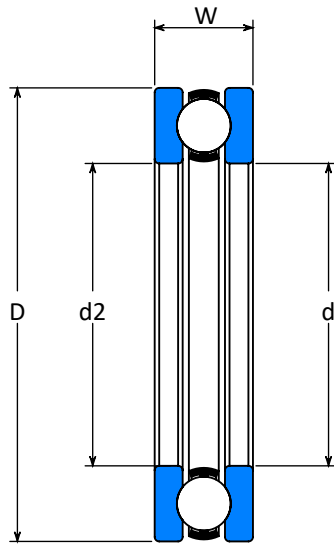
Precision level: Abec 1 to Abec 5

Bearing noise level: standard (i.e. Z1 or V1)

Please consult WJB engineering group for your specific applications.

WJB Bearing No	Bore d				Outer Diameter D		Width B		Basic Loading N		Weight (ref)
	d		d2		mm	inch	mm	inch	Dynamic Co	Static Cor	kg
	mm	inch	mm	inch							
51100	10	0.3937	11	0.4331	24	0.9449	9	0.3543	10008	14012	0.021
51200	10	0.3937	12	0.4724	26	1.0236	11	0.4331	12677	17126	0.030
51101	12	0.4724	13	0.5118	26	1.0236	9	0.3543	10320	15346	0.023
51201	12	0.4724	14	0.5512	28	1.1024	11	0.4331	13167	18905	0.034
51102	15	0.5906	16	0.6299	28	1.1024	9	0.3543	10542	16681	0.024
51202	15	0.5906	17	0.6693	32	1.2598	12	0.4724	16681	24910	0.046
51103	17	0.6693	18	0.7087	30	1.1811	9	0.3543	10809	18238	0.026
51203	17	0.6693	19	0.7480	35	1.3780	12	0.4724	17126	27357	0.054
51104	20	0.7874	21	0.8268	35	1.3780	10	0.3937	14234	24688	0.040
51204	20	0.7874	22	0.8661	40	1.5748	14	0.5512	22241	37810	0.081
51105	25	0.9843	26	1.0236	42	1.6535	11	0.4331	19572	41591	0.060
51205	25	0.9843	27	1.0630	47	1.8504	15	0.5906	27801	50265	0.111
51305	25	0.9843	27	1.0630	52	2.0472	18	0.7087	35808	61385	0.176
51106	30	1.1811	32	1.2598	47	1.8504	11	0.4331	20462	42258	0.069
51206	30	1.1811	32	1.2598	52	2.0472	16	0.6299	29358	58272	0.139
51306	30	1.1811	32	1.2598	60	2.3622	21	0.8268	42703	78734	0.269
51107	35	1.3780	37	1.4567	52	2.0472	12	0.4724	20462	44482	0.085
51207	35	1.3780	37	1.4567	62	2.4409	18	0.7087	39144	78289	0.215
51307	35	1.3780	37	1.4567	68	2.6772	24	0.9449	55603	104533	0.383
51108	40	1.5748	42	1.6535	60	2.3622	13	0.5118	26912	62720	0.125
51208	40	1.5748	42	1.6535	68	2.6772	19	0.7480	44482	98306	0.276
51308	40	1.5748	42	1.6535	78	3.0709	26	1.0236	69392	133447	0.549

Single Direction Thrust Ball Bearing (51100, 51200, 51300)



These single direction thrust ball bearing series are designed to accommodate axial loads only and must not be subjected to any radial load.

Ring material: Standard AISI 52100 or 440 stainless steel equivalent

Axial Clearance: Can be customized per customer

Cages: Plastic cages and pressed steel cages

Precision level: Abec 1 to Abec 5

Bearing noise level: standard (i.e. Z1 or V1)

Please consult WJB engineering group for your specific applications.

WJB Bearing No.	Bore d				Outer Diameter D		Width B		Basic Loading N		Weight (ref)
	d		d2		mm	inch	mm	inch	Dynamic Co	Static Cor	kg
	mm	inch	mm	inch							
51109	45	1.7717	47	1.8504	65	2.5591	14	0.5512	27801	68947	0.148
51209	45	1.7717	47	1.8504	73	2.8740	20	0.7874	47596	104978	0.317
51309	45	1.7717	47	1.8504	85	3.3465	28	1.1024	80068	162360	0.685
51110	50	1.9685	52	2.0472	70	2.7559	14	0.5512	28691	75620	0.161
51210	50	1.9685	52	2.0472	78	3.0709	22	0.8661	48486	111650	0.378
51111	55	2.1654	57	2.2441	78	3.0709	16	0.6299	34696	92968	0.226
51211	55	2.1654	57	2.2441	90	3.5433	25	0.9843	69392	157912	0.608
51112	60	2.3622	62	2.4409	85	3.3465	17	0.6693	41368	112540	0.296
51212	60	2.3622	62	2.4409	95	3.7402	26	1.0236	73396	177929	0.676
51113	65	2.5591	67	2.6378	90	3.5433	18	0.7087	41813	117433	0.338
51213	65	2.5591	67	2.6378	100	3.9370	27	1.0630	74730	189049	0.767
51114	70	2.7559	72	2.8346	95	3.7402	18	0.7087	43148	126774	0.356
51214	70	2.7559	72	2.8346	105	4.1339	27	1.0630	76065	197946	0.794
51115	75	2.9528	77	3.0315	100	3.9370	19	0.7480	44482	135671	0.399
51215	75	2.9528	77	3.0315	110	4.3307	27	1.0630	77399	209066	0.875