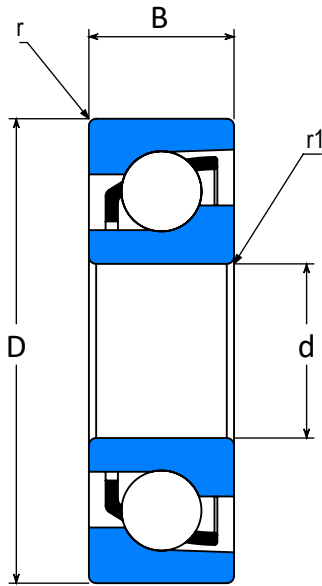


Angular Contact Ball Bearings (7000 Series)



Contact Angle: This 7000 angular contact ball bearing series is available with various contact angle: A=30°, B=40°, C=15°, AC=25°, etc.

Set: Available as Back to Back (DB), Face to Face (DF), Tandem (DT) and Universal (DU); Three and four bearings arrangement is also available upon request. Arrow marking will be shown to help identify the direction.

Ring material: Standard AISI 52100, AISI 440C or other engineered materials

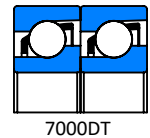
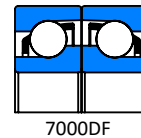
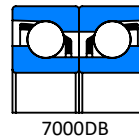
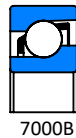
Retainer: Steel, phenolic resin, brass, polymer or other engineered materials

Ball: Standard AISI 52100, AISI 440C or silicon nitride Si3N4 (Ceramic)

Precision Level: ABEC 1 TO ABEC 5 (ABEC 7 is available upon request)

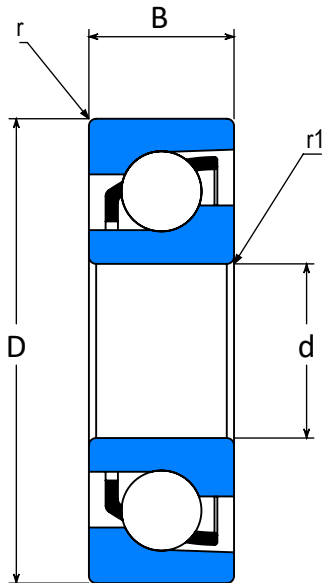
Bearing noise level: Z1V1 or Z2V3

Preload: Special preload can be provided upon request.



WJB Bearing No	Bore d		Outer Diameter D		Width B		Radius r1 min		Radius r min		Basic Load Rating N		Limiting Speed RPM		Weight kg
	mm	inch	mm	inch	mm	inch	mm	inch	mm	inch	Dynamic Cr	Static Cor	Oil	Grease	
7000B	10	0.3937	26	1.0236	8	0.3150	0.3	0.0118	0.15	0.0059	4,970	2,410	33,000	23,000	0.022
7200B	10	0.3937	30	1.1811	9	0.3543	0.6	0.0236	0.3	0.0118	6,350	2,870	32,000	22,000	0.030
7300B	10	0.3937	35	1.3780	11	0.4331	0.6	0.0236	0.3	0.0118	8,740	4,040	28,000	19,000	0.050
7001B	12	0.4724	28	1.1024	8	0.3150	0.3	0.0118	0.15	0.0059	5,300	2,740	30,000	21,000	0.024
7201B	12	0.4724	32	1.2598	10	0.3937	0.6	0.0236	0.3	0.0118	6,920	3,360	29,000	20,000	0.036
7301B	12	0.4724	37	1.4567	12	0.4724	1.0	0.0394	0.6	0.0236	10,500	4,950	26,000	18,000	0.060
7002B	15	0.5906	32	1.2598	9	0.3543	0.3	0.0118	0.15	0.0059	6,470	3,600	25,000	17,000	0.034
7202B	15	0.5906	35	1.3780	11	0.4331	0.6	0.0236	0.3	0.0118	8,360	4,350	25,000	17,000	0.045
7302B	15	0.5906	42	1.6535	13	0.5118	1.0	0.0394	0.6	0.0236	12,400	6,570	22,000	15,000	0.080
7003B	17	0.6693	35	1.3780	10	0.3937	0.3	0.0118	0.15	0.0059	7,390	4,200	23,000	16,000	0.044
7203B	17	0.6693	40	1.5748	12	0.4724	0.6	0.0236	0.3	0.0118	10,300	5,530	22,000	15,000	0.065
7303B	17	0.6693	47	1.8504	14	0.5512	1.0	0.0394	0.6	0.0236	16,000	8,290	20,000	14,000	0.110
7004B	20	0.7874	42	1.6535	12	0.4724	0.6	0.0236	0.3	0.0118	11,000	6,230	19,000	13,000	0.077
7204B	20	0.7874	47	1.8504	14	0.5512	1.0	0.0394	0.6	0.0236	14,100	8,320	19,000	13,000	0.110
7304B	20	0.7874	52	2.0472	15	0.5906	1.1	0.0433	0.6	0.0236	17,300	9,670	17,000	12,000	0.140
7005B	25	0.9843	47	1.8504	12	0.4724	0.6	0.0236	0.3	0.0118	12,100	7,690	16,000	11,000	0.090
7205B	25	0.9843	52	2.0472	15	0.5906	1.0	0.0394	0.6	0.0236	15,500	10,100	16,000	11,000	0.130
7305B	25	0.9843	62	2.4409	17	0.6693	1.1	0.0433	0.6	0.0236	24,300	14,100	14,000	10,000	0.230
7006B	30	1.1811	55	2.1654	13	0.5118	1.0	0.0394	0.6	0.0236	15,300	10,300	14,000	9,500	0.130
7206B	30	1.1811	62	2.4409	16	0.6299	1.0	0.0394	0.6	0.0236	23,800	15,500	13,000	9,500	0.200
7306B	30	1.1811	72	2.8346	19	0.7480	1.1	0.0433	0.6	0.0236	31,000	19,200	12,000	8,500	0.340
7007B	35	1.3780	62	2.4409	14	0.5512	1.0	0.0394	0.6	0.0236	19,000	13,500	12,000	8,500	0.170
7207B	35	1.3780	72	2.8346	17	0.6693	1.1	0.0433	0.6	0.0236	30,800	20,700	11,000	8,000	0.280
7307B	35	1.3780	80	3.1496	21	0.8268	1.5	0.0591	1.0	0.0394	38,300	24,400	11,000	7,500	0.450
7008B	40	1.5748	68	2.6772	15	0.5906	1.0	0.0394	0.6	0.0236	22,100	16,100	11,000	7,500	0.220
7208B	40	1.5748	80	3.1496	18	0.7087	1.1	0.0433	0.6	0.0236	36,200	25,700	10,000	7,000	0.370
7308B	40	1.5748	90	3.5433	23	0.9055	1.5	0.0591	1.0	0.0394	46,300	30,200	9,500	6,500	0.620

Angular Contact Ball Bearings (7000 Series)



Contact Angle: This 7000 angular contact ball bearing series is available with various contact angle: A=30°, B=40°, C=15°, AC=25°, etc.

Set: Available as Back to Back (DB), Face to Face (DF), Tandem (DT) and Universal (DU); Three and four bearings arrangement is also available upon request. Arrow marking will be shown to help identify the direction.

Ring material: Standard AISI 52100, AISI 440C or other engineered materials

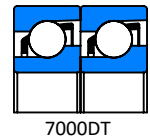
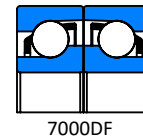
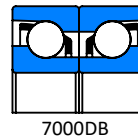
Retainer: Steel, phenolic resin, brass, polymer or other engineered materials

Ball: Standard AISI 52100, AISI 440C or silicon nitride Si3N4 (Ceramic)

Precision Level: ABEC 1 TO ABEC 5 (ABEC 7 is available upon request)

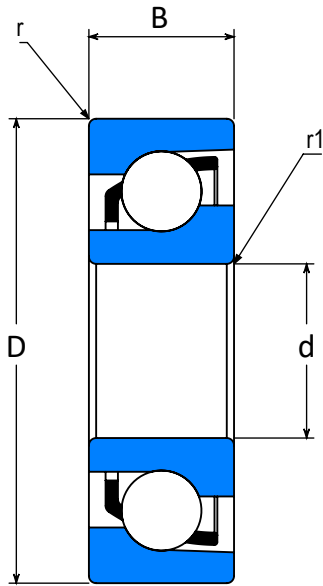
Bearing noise level: Z1V1 or Z2V3

Preload: Special preload can be provided upon request.



WJB Bearing No.	Bore d		Outer Diameter D		Width B		Radius r1 min		Radius r min		Basic Load Rating N		Limiting Speed RPM		Weight kg
	mm	inch	mm	inch	mm	inch	mm	inch	mm	inch	Dynamic Cr	Static Cor	Oil	Grease	
7009B	45	1.7717	75	2.9528	16	0.6299	1.0	0.0394	0.6	0.0236	23,700	18,700	10,000	7,000	0.270
7209B	45	1.7717	85	3.3465	19	0.7480	1.1	0.0433	0.6	0.0236	37,700	28,100	9,500	6,500	0.420
7309B	45	1.7717	100	3.9370	25	0.9843	1.5	0.0591	1.0	0.0394	55,000	36,700	8,500	6,000	0.820
7010B	50	1.9685	80	3.1496	16	0.6299	1.0	0.0394	0.6	0.0236	24,300	20,000	9,000	6,000	0.300
7210B	50	1.9685	90	3.5433	20	0.7874	1.1	0.0433	0.6	0.0236	37,300	28,500	9,000	6,000	0.470
7310B	50	1.9685	110	4.3307	27	1.0630	2.0	0.0787	1.0	0.0394	68,200	47,800	8,000	5,500	1.100
7011B	55	2.1654	90	3.5433	18	0.7087	1.1	0.0433	0.6	0.0236	31,100	25,600	8,000	5,500	0.430
7211B	55	2.1654	100	3.9370	21	0.8268	1.5	0.0591	1.0	0.0394	46,300	36,000	8,000	5,500	0.620
7311B	55	2.1654	120	4.7244	29	1.1417	2.0	0.0787	1.0	0.0394	78,700	56,300	7,000	5,000	1.400
7012B	60	2.3622	95	3.7402	18	0.7087	1.1	0.0433	0.6	0.0236	33,100	28,900	7,500	5,000	0.460
7212B	60	2.3622	110	4.3307	22	0.8661	1.5	0.0591	1.0	0.0394	56,000	44,400	7,500	5,200	0.800
7312B	60	2.3622	130	5.1181	31	1.2205	2.1	0.0827	1.1	0.0433	89,900	65,400	6,500	4,600	1.750
7013B	65	2.5591	100	3.9370	18	0.7087	1.1	0.0433	0.6	0.0236	33,800	30,800	7,000	5,000	0.490
7213B	65	2.5591	120	4.7244	23	0.9055	1.5	0.0591	1.0	0.0394	63,600	52,500	6,500	4,800	1.000
7313B	65	2.5591	140	5.5118	33	1.2992	2.1	0.0827	1.1	0.0433	101,500	75,300	6,000	4,200	2.150
7014B	70	2.7559	110	4.3307	20	0.7874	1.1	0.0433	0.6	0.0236	42,000	37,900	6,500	4,600	0.680
7214B	70	2.7559	125	4.9213	24	0.9449	1.5	0.0591	1.0	0.0394	69,100	57,700	6,500	4,400	1.100
7314B	70	2.7559	150	5.9055	35	1.3780	2.1	0.0827	1.1	0.0433	114,000	85,900	5,500	4,000	2.650
7015B	75	2.9528	115	4.5276	20	0.7874	1.1	0.0433	0.6	0.0236	43,000	40,300	6,000	4,400	0.720
7215B	75	2.9528	130	5.1181	25	0.9843	1.5	0.0591	1.0	0.0394	68,600	58,200	6,000	4,200	1.200
7315B	75	2.9528	160	6.2992	37	1.4567	2.1	0.0827	1.1	0.0433	124,000	97,200	5,000	3,800	3.200
7016B	80	3.1496	125	4.9213	22	0.8661	1.1	0.0433	0.6	0.0236	51,800	48,100	5,500	4,000	0.960
7216B	80	3.1496	140	5.5118	26	1.0236	2.0	0.0787	1.0	0.0394	80,400	69,100	5,500	4,000	1.450
7316B	80	3.1496	170	6.6929	39	1.5354	2.1	0.0827	1.1	0.0433	134,500	109,000	5,000	3,400	3.800
7017B	85	3.3465	130	5.1181	22	0.8661	1.1	0.0433	0.6	0.0236	53,000	51,100	5,400	3,800	1.000
7217B	85	3.3465	150	5.9055	28	1.1024	2.0	0.0787	1.0	0.0394	93,100	80,900	5,000	3,800	1.850
7317B	85	3.3465	180	7.0866	41	1.6142	3.0	0.1181	1.1	0.0433	145,000	121,500	4,800	3,200	4.450

Angular Contact Ball Bearings (7000 Series)



Contact Angle: This 7000 angular contact ball bearing series is available with various contact angle: A=30°, B=40°, C=15°, AC=25°, etc.

Set: Available as Back to Back (DB), Face to Face (DF), Tandem (DT) and Universal (DU); Three and four bearings arrangement is also available upon request. Arrow marking will be shown to help identify the direction.

Ring material: Standard AISI 52100, AISI 440C or other engineered materials

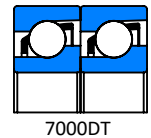
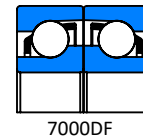
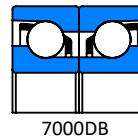
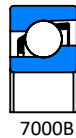
Retainer: Steel, phenolic resin, brass, polymer or other engineered materials

Ball: Standard AISI 52100, AISI 440C or silicon nitride Si3N4 (Ceramic)

Precision Level: ABEC 1 TO ABEC 5 (ABEC 7 is available upon request)

Bearing noise level: Z1V1 or Z2V3

Preload: Special preload can be provided upon request.



WJB Bearing No.	Bore d		Outer Diameter D		Width B		Radius r1 min		Radius r min		Basic Load Rating N		Limiting Speed RPM		Weight kg
	mm	inch	mm	inch	mm	inch	mm	inch	mm	inch	Dynamic Cr	Static Cor	Oil	Grease	
7018B	90	3.5433	140	5.5118	24	0.9449	1.5	0.0591	1.0	0.0394	62,500	59,500	5,200	3,600	1.310
7218B	90	3.5433	160	6.2992	30	1.1811	2.0	0.0787	1.0	0.0394	106,500	93,600	5,000	3,400	2.300
7318B	90	3.5433	190	7.4803	43	1.6929	3.0	0.1181	1.1	0.0433	156,000	135,000	4,400	3,200	5.200
7019B	95	3.7402	145	5.7087	24	0.9449	1.5	0.0591	1.0	0.0394	64,100	63,100	5,000	3,400	1.370
7219B	95	3.7402	170	6.6929	32	1.2598	2.1	0.0827	1.1	0.0433	120,500	107,500	4,800	3,200	2.700
7319B	95	3.7402	200	7.8740	45	1.7717	3.0	0.1181	1.1	0.0433	167,000	149,000	4,200	3,000	6.000
7020B	100	3.9370	150	5.9055	24	0.9449	1.5	0.0591	1.0	0.0394	65,600	66,500	4,800	3,200	1.420
7220B	100	3.9370	180	7.0866	34	1.3386	2.1	0.0827	1.1	0.0433	130,000	114,000	4,400	3,200	3.300
7320B	100	3.9370	215	8.4646	47	1.8504	3.0	0.1181	1.1	0.0433	190,000	177,000	4,000	2,800	7.500
7021B	105	4.1339	160	6.2992	26	1.0236	2.0	0.0787	1.0	0.0394	76,000	76,400	4,400	3,000	1.800
7221B	105	4.1339	190	7.4803	36	1.4173	2.1	0.0827	1.1	0.0433	148,000	137,000	4,200	3,000	3.950
7321B	105	4.1339	225	8.8583	49	1.9291	3.0	0.1181	1.1	0.0433	201,500	193,000	3,800	2,600	8.500
7022B	110	4.3307	170	6.6929	28	1.1024	2.0	0.0787	1.0	0.0394	89,500	90,400	4,200	3,000	2.200
7222B	110	4.3307	200	7.8740	38	1.4961	2.1	0.0827	1.1	0.0433	160,500	153,500	4,000	2,800	4.600
7322B	110	4.3307	240	9.4488	50	1.9685	3.0	0.1181	1.1	0.0433	225,500	225,000	3,600	2,400	10.000
7024B	120	4.7244	180	7.0866	28	1.1024	2.0	0.0787	1.0	0.0394	91,100	95,900	4,000	2,800	2.400
7224B	120	4.7244	215	8.4646	40	1.5748	2.1	0.0827	1.1	0.0433	165,500	161,000	3,800	2,600	5.900
7324B	120	4.7244	260	10.2362	55	2.1654	3.0	0.1181	1.1	0.0433	250,000	261,500	3,200	2,200	14.500
7026B	130	5.1181	200	7.8740	33	1.2992	2.0	0.0787	1.0	0.0394	117,500	123,000	3,600	2,400	3.600
7226B	130	5.1181	230	9.0551	40	1.5748	3.0	0.1181	1.1	0.0433	185,000	191,000	3,400	2,400	6.950
7326B	130	5.1181	280	11.0236	58	2.2835	4.0	0.1575	1.5	0.0591	275,500	301,500	3,000	2,000	17.000
7028B	140	5.5118	210	8.2677	33	1.2992	2.0	0.0787	1.0	0.0394	120,000	130,500	3,400	2,400	3.850
7228B	140	5.5118	250	9.8425	42	1.6535	3.0	0.1181	1.1	0.0433	202,500	216,500	3,200	2,200	8.850
7328B	140	5.5118	300	11.8110	62	2.4409	4.0	0.1575	1.5	0.0591	300,500	341,500	2,800	2,000	21.300
7030B	150	5.9055	225	8.8583	35	1.3780	2.1	0.0827	1.1	0.0433	136,000	149,500	3,200	2,200	4.700
7230B	150	5.9055	270	10.6299	45	1.7717	3.0	0.1181	1.1	0.0433	229,500	257,000	3,000	2,000	11.500
7330B	150	5.9055	320	12.5984	65	2.5591	4.0	0.1575	1.5	0.0591	325,500	381,500	2,600	1,800	25.083