



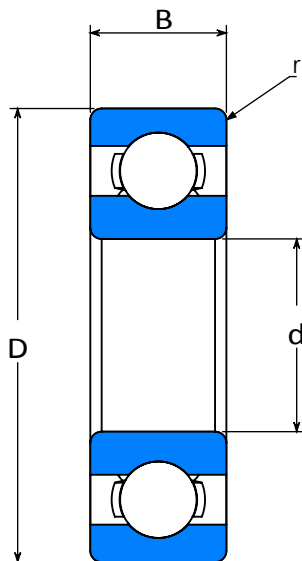
**WJB BEARINGS**



# **DEEP GROOVE BALL BEARINGS**

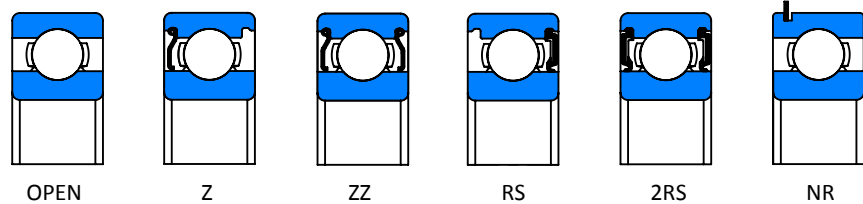
[www.wjbgroup.com](http://www.wjbgroup.com)

## Deep Groove Ball Bearings (10-12mm)



This 6000 bearing series is available with various configurations and material:

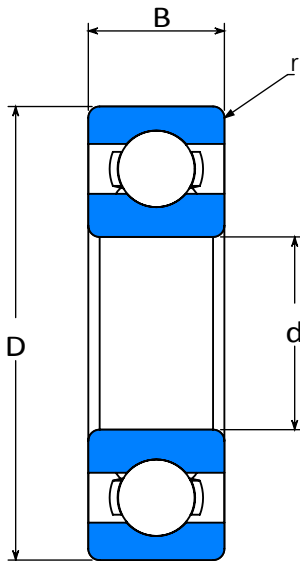
- \* Ring material: Standard AISI 52100 or 440 stainless steel equivalent
  - \* Closures: Open, steel shields, and seals
  - \* Radial clearance: C0 to C5, or as specified by the customer
  - \* Precision level: Abec 1 to Abec 5
  - \* Seal materials: NBR, EPDM, ACM, FKM and Silicone
  - \* Seal contact type: Non-contact, light, standard and tight contact
  - \* Bearing noise level: standard (i.e. Z1 or V1) to EMQ (Electric Motor Quality)
- Please consult WJB engineering group for your specific applications.



WJB Bearing No.	Bore d		Outer Diameter D		Width B		Radius r*		Basic Loading N		Weight (ref) kg
	mm	inch	mm	inch	mm	inch	mm	inch	Dynamic Co	Static Cor	
6700	10	0.3937	15	0.5906	3	0.1181	0.1	0.004	850	431	0.001
6800	10	0.3937	19	0.7480	5	0.1969	0.5	0.020	1824	925	0.005
6900	10	0.3937	22	0.8661	6	0.2362	0.5	0.020	2691	1268	0.009
6000	10	0.3937	26	1.0236	8	0.3150	0.3	0.012	4582	1957	0.019
63000	10	0.3937	26	1.0236	12	0.4724	0.5	0.020	3523	1810	0.028
16100	10	0.3937	28	1.1024	8	0.3150	0.6	0.024	5240	2424	0.023
6200	10	0.3937	30	1.1811	9	0.3543	0.6	0.024	5115	2402	0.032
62200	10	0.3937	30	1.1811	14	0.5512	1.0	0.039	3719	1761	0.042
W6200	10	0.3937	30	1.1811	14	0.5630	0.6	0.024	3723	1761	0.045
6300	10	0.3937	35	1.3780	11	0.4331	0.6	0.024	8185	3492	0.053
62300	10	0.3937	35	1.3780	17	0.6693	1.0	0.039	6067	3425	0.065
6701	12	0.4724	18	0.7087	4	0.1575	0.1	0.004	850	431	0.001
6801	12	0.4724	21	0.8268	5	0.1969	0.5	0.020	1824	925	0.005
6901	12	0.4724	24	0.9449	6	0.2362	0.5	0.020	2691	1268	0.009
16001	12	0.4724	28	1.1024	7	0.2756	0.3	0.012	5089	2358	0.019
6001	12	0.4724	28	1.1024	8	0.3150	0.3	0.012	5115	2402	0.022
63001	12	0.4724	28	1.1024	12	0.4724	0.5	0.020	3817	2104	0.032
16101	12	0.4724	30	1.1811	8	0.3150	0.3	0.012	5342	2478	0.025
6201	12	0.4724	32	1.2598	10	0.3937	0.6	0.024	6094	2736	0.037
62201	12	0.4724	32	1.2598	14	0.5512	1.0	0.039	4893	2740	0.046
W6201	12	0.4724	32	1.2598	16	0.6260	0.6	0.024	4902	2745	0.054
62301	12	0.4724	35	1.3780	17	0.6693	1.5	0.059	7340	4208	0.074
6301	12	0.4724	37	1.4567	12	0.4724	1.0	0.039	9697	4181	0.060

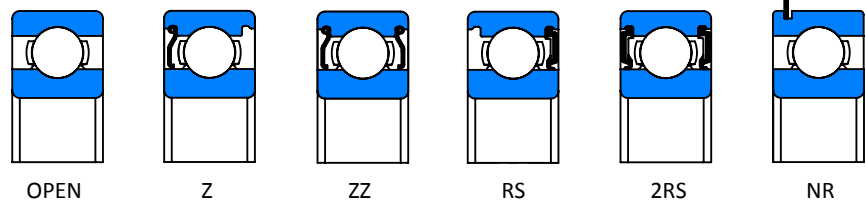
\* Maximum fillet which corner radius of bearing will clear.

## Deep Groove Ball Bearings (12.7-16mm)



This 6000 bearing series is available with various configurations and material:

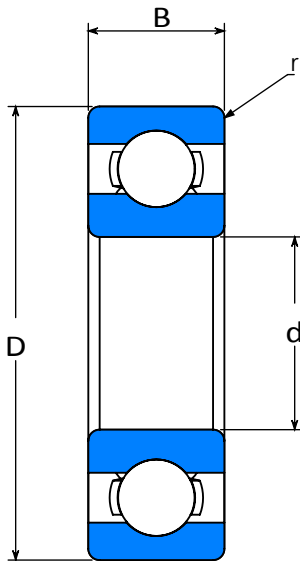
- \* Ring material: Standard AISI 52100 or 440 stainless steel equivalent
  - \* Closures: Open, steel shields, and seals
  - \* Radial clearance: C0 to C5, or as specified by the customer
  - \* Precision level: Abec 1 to Abec 5
  - \* Seal materials: NBR, EPDM, ACM, FKM and Silicone
  - \* Seal contact type: Non-contact, light, standard and tight contact
  - \* Bearing noise level: standard (i.e. Z1 or V1) to EMQ (Electric Motor Quality)
- Please consult WJB engineering group for your specific applications.



WJB Bearing No.	Bore d		Outer Diameter D		Width B		Radius r*		Basic Loading N		Weight (ref) kg
	mm	inch	mm	inch	mm	inch	mm	inch	Dynamic Co	Static Cor	
6201-8	12.7	0.5000	32	1.2598	10	0.3937	0.6	0.024	6094	2736	0.037
6203-8	12.7	0.5000	40	1.5748	12	0.4724	0.6	0.024	9608	4582	0.070
6201-13	13	0.5118	32	1.2598	10	0.3937	0.6	0.024	6094	2736	0.037
6702	15	0.5906	21	0.8268	4	0.1575	0.2	0.008	939	578	0.003
6802	15	0.5906	24	0.9449	5	0.1969	0.5	0.020	2068	1259	0.007
6902	15	0.5906	28	1.1024	7	0.2756	0.5	0.020	4092	2046	0.016
16002	15	0.5906	32	1.2598	8	0.3150	0.3	0.012	5605	2851	0.027
6002	15	0.5906	32	1.2598	9	0.3543	0.3	0.012	5605	2825	0.030
63002	15	0.5906	32	1.2598	13	0.5118	0.5	0.020	4306	2544	0.042
6202	15	0.5906	35	1.3780	11	0.4331	0.6	0.024	7740	3581	0.045
62202	15	0.5906	35	1.3780	14	0.5512	1.0	0.039	5578	3229	0.056
W6202	15	0.5906	35	1.3780	15.9	0.6260	0.6	0.024	5587	3234	0.068
6203-15	15	0.5906	40	1.5748	12	0.4724	0.6	0.024	9608	4582	0.067
6302	15	0.5906	42	1.6535	13	0.5118	1.0	0.039	11432	5427	0.082
62302	15	0.5906	42	1.6535	17	0.6693	1.5	0.059	8220	4893	0.110
W6302	15	0.5906	42	1.6535	19	0.7480	1.0	0.039	8234	4902	0.154
6202-10	15.875	0.6250	35	1.3780	11	0.4331	0.6	0.024	7740	3581	0.041
6203-10	15.875	0.6250	40	1.5748	12	0.4724	0.6	0.024	9608	4582	0.068
6202-16	16	0.6299	35	1.3780	11	0.4331	0.6	0.024	7740	3581	0.041
6203-16	16	0.6299	40	1.5748	12	0.4724	0.6	0.024	9608	4582	0.068

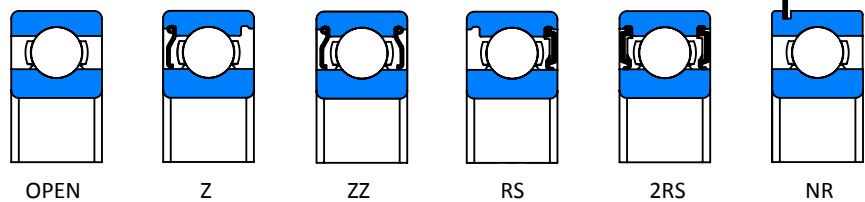
\* Maximum fillet which corner radius of bearing will clear.

## Deep Groove Ball Bearings (17-19.05mm)



This 6000 bearing series is available with various configurations and material:

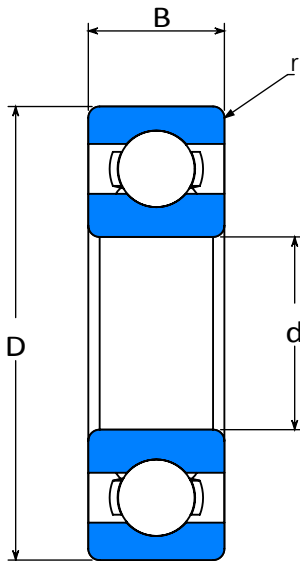
- \* Ring material: Standard AISI 52100 or 440 stainless steel equivalent
  - \* Closures: Open, steel shields, and seals
  - \* Radial clearance: C0 to C5, or as specified by the customer
  - \* Precision level: Abec 1 to Abec 5
  - \* Seal materials: NBR, EPDM, ACM, FKM and Silicone
  - \* Seal contact type: Non-contact, light, standard and tight contact
  - \* Bearing noise level: standard (i.e. Z1 or V1) to EMQ (Electric Motor Quality)
- Please consult WJB engineering group for your specific applications.



WJB Bearing No.	Bore d		Outer Diameter D		Width B		Radius r*		Basic Loading N		Weight (ref) kg
	mm	inch	mm	inch	mm	inch	mm	inch	Dynamic Co	Static Cor	
6703	17	0.6693	23	0.9055	4	0.1575	0.2	0.008	996	654	0.004
6803	17	0.6693	26	1.0236	5	0.1969	0.5	0.020	2802	1713	0.008
6903	17	0.6693	30	1.1811	7	0.2756	0.5	0.020	4671	2580	0.018
16003	17	0.6693	35	1.3780	8	0.3150	0.3	0.012	6050	3252	0.029
6003	17	0.6693	35	1.3780	10	0.3937	0.3	0.012	6806	3358	0.039
63003	17	0.6693	35	1.3780	14	0.5512	0.5	0.020	4599	2838	0.051
6203	17	0.6693	40	1.5748	12	0.4724	0.6	0.024	9608	4582	0.065
62203	17	0.6693	40	1.5748	16	0.6299	1.0	0.039	6948	4012	0.085
W6203	17	0.6693	40	1.5748	17.5	0.6890	0.6	0.024	6961	4017	0.100
6303	17	0.6693	47	1.8504	14	0.5512	1.0	0.039	13567	6539	0.115
62303	17	0.6693	47	1.8504	19	0.7480	1.5	0.059	9786	5676	0.149
W6303	17	0.6693	47	1.8504	22.2	0.8740	1.0	0.039	9804	5685	0.191
6403	17	0.6693	62	2.4409	17	0.6693	1.0	0.039	22686	10765	0.272
6203-12	19.05	0.7500	40	1.5748	12	0.4724	0.6	0.024	9608	4582	0.064
6204-12	19.05	0.7500	47	1.8504	14	0.5512	1.0	0.039	12855	6672	0.107

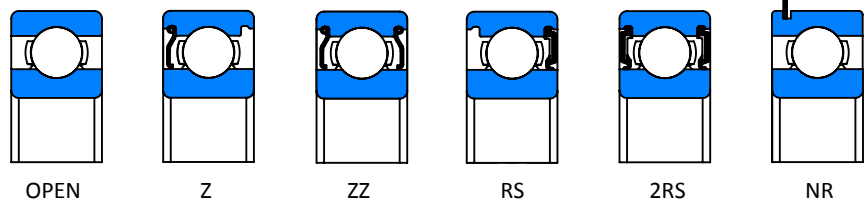
\* Maximum fillet which corner radius of bearing will clear.

## Deep Groove Ball Bearings (20-22.225mm)



This 6000 bearing series is available with various configurations and material:

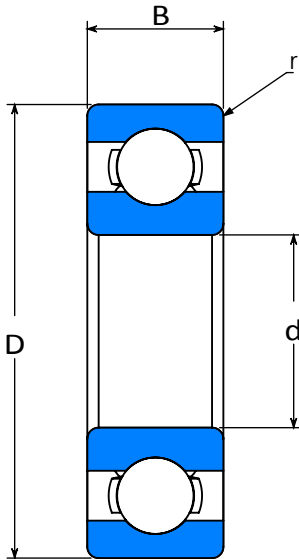
- \* Ring material: Standard AISI 52100 or 440 stainless steel equivalent
  - \* Closures: Open, steel shields, and seals
  - \* Radial clearance: C0 to C5, or as specified by the customer
  - \* Precision level: Abec 1 to Abec 5
  - \* Seal materials: NBR, EPDM, ACM, FKM and Silicone
  - \* Seal contact type: Non-contact, light, standard and tight contact
  - \* Bearing noise level: standard (i.e. Z1 or V1) to EMQ (Electric Motor Quality)
- Please consult WJB engineering group for your specific applications.



WJB Bearing No.	Bore d		Outer Diameter D		Width B		Radius r*		Basic Loading N		Weight (ref) kg
	mm	inch	mm	inch	mm	inch	mm	inch	Dynamic Co	Static Cor	
6704	20	0.7874	27	1.0630	4	0.1575	0.2	0.008	850	431	0.005
6804	20	0.7874	32	1.2598	7	0.2756	0.5	0.020	1824	925	0.019
6904	20	0.7874	37	1.4567	9	0.3543	0.5	0.020	2691	1268	0.036
16004	20	0.7874	42	1.6535	8	0.3150	0.3	0.012	4582	1957	0.048
6004	20	0.7874	42	1.6535	12	0.4724	0.6	0.024	3523	1810	0.069
63004	20	0.7874	42	1.6535	16	0.6299	1.0	0.039	5240	2424	0.088
6204	20	0.7874	47	1.8504	14	0.5512	1.0	0.039	5115	2402	0.106
62204	20	0.7874	47	1.8504	18	0.7087	1.5	0.059	3719	1761	0.128
W6204	20	0.7874	47	1.8504	20.6	0.8110	1.0	0.039	3723	1761	0.150
6304	20	0.7874	52	2.0472	15	0.5906	1.1	0.043	8185	3492	0.144
M6304	20	0.7874	52	2.0472	15	0.5906	2.0	0.079	6067	3425	0.163
62304	20	0.7874	52	2.0472	21	0.8268	2.0	0.079	850	431	0.196
W6304	20	0.7874	52	2.0472	22.2	0.8740	1.0	0.039	1824	925	0.209
6404	20	0.7874	72	2.8346	19	0.7480	1.0	0.039	2691	1268	0.408
60/22	22	0.8661	44	1.7323	12	0.4724	0.6	0.024	9386	5115	0.074
62/22	22	0.8661	50	1.9685	14	0.5512	1.0	0.039	12900	6806	0.117
63/22	22	0.8661	56	2.2047	16	0.6299	1.1	0.043	18238	9252	0.232
6204-14	22.225	0.8750	47	1.8504	14	0.5512	1.0	0.039	12855	6672	0.104

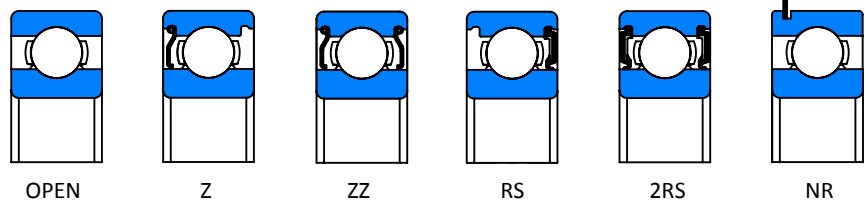
\* Maximum fillet which corner radius of bearing will clear.

## Deep Groove Ball Bearings (25-28mm)



This 6000 bearing series is available with various configurations and material:

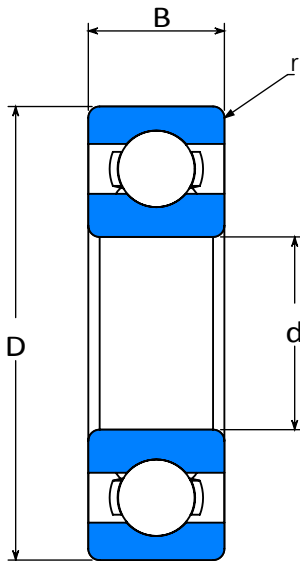
- \* Ring material: Standard AISI 52100 or 440 stainless steel equivalent
  - \* Closures: Open, steel shields, and seals
  - \* Radial clearance: C0 to C5, or as specified by the customer
  - \* Precision level: Abec 1 to Abec 5
  - \* Seal materials: NBR, EPDM, ACM, FKM and Silicone
  - \* Seal contact type: Non-contact, light, standard and tight contact
  - \* Bearing noise level: standard (i.e. Z1 or V1) to EMQ (Electric Motor Quality)
- Please consult WJB engineering group for your specific applications.



WJB Bearing No.	Bore d		Outer Diameter D		Width B		Radius r*		Basic Loading N		Weight (ref) kg
	mm	inch	mm	inch	mm	inch	mm	inch	Dynamic Co	Static Cor	
6705	25	0.9843	32	1.2598	4	0.1575	0.2	0.008	1076	832	0.006
6805	25	0.9843	37	1.4567	7	0.2756	0.5	0.020	4293	2958	0.024
6905	25	0.9843	42	1.6535	9	0.3543	0.5	0.020	7028	4537	0.042
16005	25	0.9843	47	1.8504	8	0.3150	0.3	0.012	7606	4760	0.052
6005	25	0.9843	47	1.8504	12	0.4724	0.6	0.024	10053	5872	0.080
63005	25	0.9843	47	1.8504	16	0.6299	1.0	0.039	7633	5187	0.100
6205	25	0.9843	52	2.0472	15	0.5906	1.0	0.039	14012	7873	0.128
M6205	25	0.9843	52	2.0472	15	0.5906	1.5	0.059	16903	10498	0.142
62205	25	0.9843	52	2.0472	18	0.7087	1.5	0.059	10569	6850	0.146
W6205	25	0.9843	52	2.0472	20.6	0.8110	1.5	0.059	10587	6864	0.177
6305	25	0.9843	62	2.4409	17	0.6693	1.1	0.043	21129	10943	0.232
M6305	25	0.9843	62	2.4409	17	0.6693	2.0	0.079	26912	15569	0.258
62305	25	0.9843	62	2.4409	24	0.9449	2.0	0.079	14679	9786	0.319
W6305	25	0.9843	62	2.4409	25.4	1.0000	1.1	0.043	14706	9804	0.349
6405	25	0.9843	80	3.1496	21	0.8268	1.5	0.059	21129	10943	0.540
6205-16	25.4	1.0000	52	2.0472	15	0.5906	1.0	0.039	14012	7873	0.127
60/28	28	1.1024	52	2.0472	12	0.4724	0.6	0.024	12455	7384	0.098
62/28	28	1.1024	58	2.2835	16	0.6299	1.0	0.039	17793	9742	0.171
63/28	28	1.1024	68	2.6772	18	0.7087	1.1	0.043	26689	14012	0.287

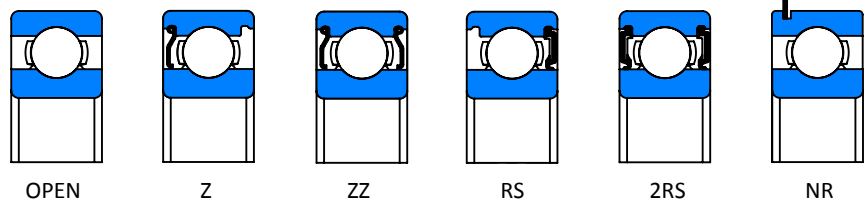
\* Maximum fillet which corner radius of bearing will clear.

## Deep Groove Ball Bearings (30-32mm)



This 6000 bearing series is available with various configurations and material:

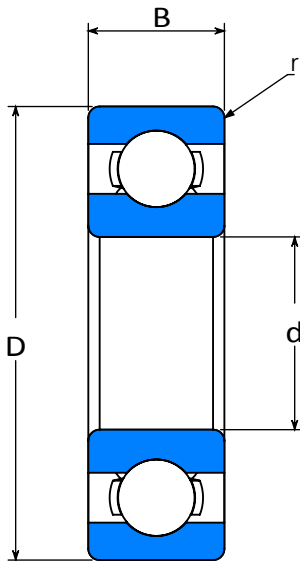
- \* Ring material: Standard AISI 52100 or 440 stainless steel equivalent
  - \* Closures: Open, steel shields, and seals
  - \* Radial clearance: C0 to C5, or as specified by the customer
  - \* Precision level: Abec 1 to Abec 5
  - \* Seal materials: NBR, EPDM, ACM, FKM and Silicone
  - \* Seal contact type: Non-contact, light, standard and tight contact
  - \* Bearing noise level: standard (i.e. Z1 or V1) to EMQ (Electric Motor Quality)
- Please consult WJB engineering group for your specific applications.



WJB Bearing No.	Bore d		Outer Diameter D		Width B		Radius r*		Basic Loading N		Weight (ref) kg
	mm	inch	mm	inch	mm	inch	mm	inch	Dynamic Co	Static Cor	
6706	30	1.1811	37	1.4567	4	0.1575	0.2	0.008	1125	930	0.007
6806	30	1.1811	42	1.6535	7	0.2756	0.5	0.020	4715	3625	0.025
6906	30	1.1811	47	1.8504	9	0.3543	0.5	0.020	7251	5026	0.048
16006	30	1.1811	55	2.1654	9	0.3543	0.3	0.012	11210	7340	0.079
63006	30	1.1811	55	2.1654	19	0.7480	1.5	0.059	10178	7242	0.159
6206	30	1.1811	62	2.4409	16	0.6299	1.0	0.039	19572	11298	0.199
M6206	30	1.1811	62	2.4409	16	0.6299	1.5	0.059	24910	16236	0.214
62206	30	1.1811	62	2.4409	20	0.7874	1.5	0.059	14679	9786	0.241
W6206	30	1.1811	62	2.4409	23.8	0.9370	1.0	0.039	14706	9804	0.281
M6306	30	1.1811	72	2.8346	19	0.7480	2.0	0.079	32917	20684	0.389
6306	30	1.1811	72	2.8346	19	0.7480	1.1	0.043	29803	16903	0.346
62306	30	1.1811	72	2.8346	27	1.0630	2.0	0.079	19572	13407	0.484
W6306	30	1.1811	72	2.8346	30.2	1.1890	1.1	0.043	19612	13434	0.549
6406	30	1.1811	90	3.5433	23	0.9055	1.5	0.059	43370	23798	0.721
60/32	32	1.2598	58	2.2835	13	0.5118	1.0	0.039	15124	9119	0.129
62/32	32	1.2598	65	2.5591	17	0.6693	1.0	0.039	20573	11565	0.226
63/32	32	1.2598	75	2.9528	20	0.7874	1.1	0.043	102309	71172	0.382

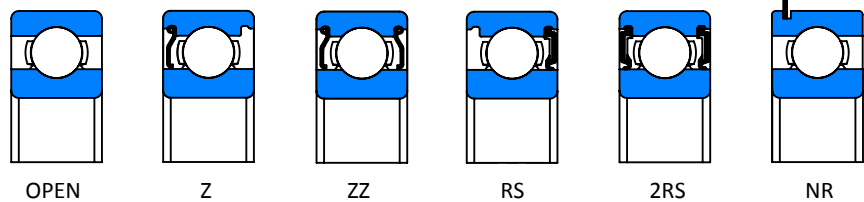
\* Maximum fillet which corner radius of bearing will clear.

## Deep Groove Ball Bearings (35mm)



This 6000 bearing series is available with various configurations and material:

- \* Ring material: Standard AISI 52100 or 440 stainless steel equivalent
  - \* Closures: Open, steel shields, and seals
  - \* Radial clearance: C0 to C5, or as specified by the customer
  - \* Precision level: Abec 1 to Abec 5
  - \* Seal materials: NBR, EPDM, ACM, FKM and Silicone
  - \* Seal contact type: Non-contact, light, standard and tight contact
  - \* Bearing noise level: standard (i.e. Z1 or V1) to EMQ (Electric Motor Quality)
- Please consult WJB engineering group for your specific applications.

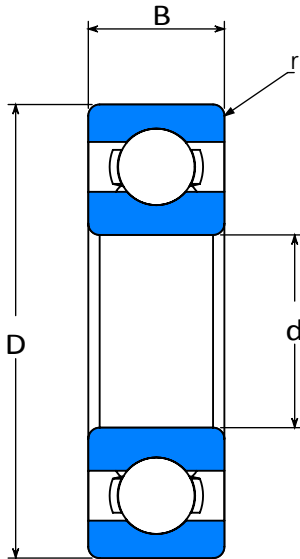


WJB Bearing No.	Bore d		Outer Diameter D		Width B		Radius r*		Basic Loading N		Weight (ref) kg
	mm	inch	mm	inch	mm	inch	mm	inch	Dynamic Co	Static Cor	
6707	35	1.3780	44	1.7323	5	0.1969	0.3	0.012	1859	1615	0.014
6807	35	1.3780	47	1.8504	7	0.2756	0.5	0.020	4893	4026	0.029
6907	35	1.3780	55	2.1654	10	0.3937	1.0	0.039	11165	7429	0.074
16007	35	1.3780	62	2.4409	9	0.3543	0.3	0.012	12411	8140	0.084
6007	35	1.3780	62	2.4409	14	0.5512	1.0	0.039	16014	10275	0.155
63007	35	1.3780	62	2.4409	20	0.7874	1.5	0.059	11743	8905	0.210
6207	35	1.3780	72	2.8346	17	0.6693	1.1	0.043	25577	15346	0.288
M6207	35	1.3780	72	2.8346	17	0.6693	2.0	0.079	32917	22019	0.318
62207	35	1.3780	72	2.8346	23	0.9055	2.0	0.079	19376	12722	0.434
W6207	35	1.3780	72	2.8346	27	1.0630	1.1	0.043	19416	12744	0.449
6307	35	1.3780	80	3.1496	21	0.8268	1.5	0.059	33362	19127	0.458
M6307	35	1.3780	80	3.1496	21	0.8268	2.5	0.098	43593	28691	0.499
62307	35	1.3780	80	3.1496	31	1.2205	2.5	0.098	23487	16147	0.669
W6307	35	1.3780	80	3.1496	34.9	1.3740	1.5	0.059	23536	16178	0.708
6407	35	1.3780	100	3.9370	25	0.9843	1.5	0.059	55158	31138	0.934

\* Maximum fillet which corner radius of bearing will clear.

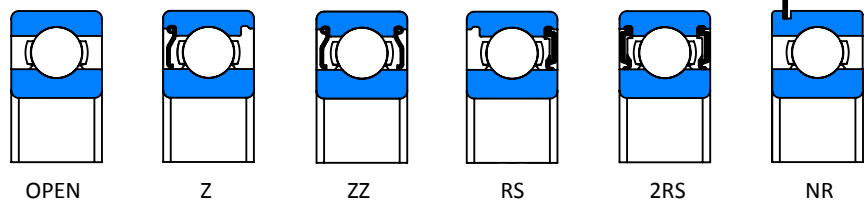


# Deep Groove Ball Bearings (40mm)



This 6000 bearing series is available with various configurations and material:

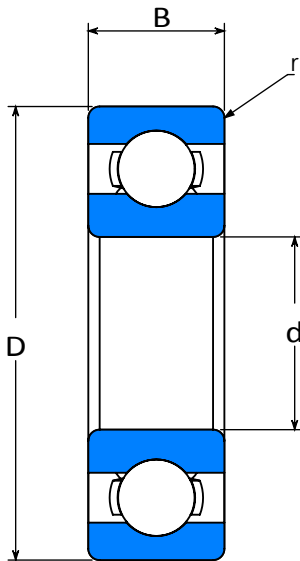
- \* Ring material: Standard AISI 52100 or 440 stainless steel equivalent
  - \* Closures: Open, steel shields, and seals
  - \* Radial clearance: C0 to C5, or as specified by the customer
  - \* Precision level: Abec 1 to Abec 5
  - \* Seal materials: NBR, EPDM, ACM, FKM and Silicone
  - \* Seal contact type: Non-contact, light, standard and tight contact
  - \* Bearing noise level: standard (i.e. Z1 or V1) to EMQ (Electric Motor Quality)
- Please consult WJB engineering group for your specific applications.



WJB Bearing No.	Bore d		Outer Diameter D		Width B		Radius r*		Basic Loading N		Weight (ref) kg
	mm	inch	mm	inch	mm	inch	mm	inch	Dynamic Co	Static Cor	
6708	40	1.5748	50	1.9685	6	0.2362	0.3	0.012	2447	2202	0.021
6808	40	1.5748	52	2.0472	7	0.2756	0.5	0.020	5071	4381	0.033
6908	40	1.5748	62	2.4409	12	0.4724	1.0	0.039	13612	9964	0.110
16008	40	1.5748	68	2.6772	9	0.3543	0.3	0.012	13300	9163	0.122
6008	40	1.5748	68	2.6772	15	0.5906	1.0	0.039	16681	11521	0.192
63008	40	1.5748	68	2.6772	21	0.8268	1.5	0.059	12526	9884	0.259
6208	40	1.5748	80	3.1496	18	0.7087	1.1	0.043	29136	17793	0.366
M6208	40	1.5748	80	3.1496	18	0.7087	2.0	0.079	39144	27801	0.399
62208	40	1.5748	80	3.1496	23	0.9055	2.0	0.079	20551	14190	0.449
W6208	40	1.5748	80	3.1496	30.2	1.1890	1.1	0.043	20591	14217	0.626
6308	40	1.5748	90	3.5433	23	0.9055	1.5	0.059	40701	24020	0.635
M6308	40	1.5748	90	3.5433	23	0.9055	2.5	0.098	54713	35808	0.680
62308	40	1.5748	90	3.5433	33	1.2992	2.5	0.098	29358	20453	0.908
W6308	40	1.5748	90	3.5433	36.5	1.4370	1.5	0.059	29416	18091	1.01
6408	40	1.5748	110	4.3307	27	1.0630	2.0	0.079	63610	36475	1.22

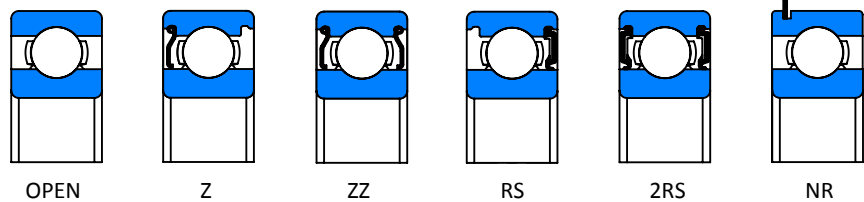
\* Maximum fillet which corner radius of bearing will clear.

## Deep Groove Ball Bearings (45mm)



This 6000 bearing series is available with various configurations and material:

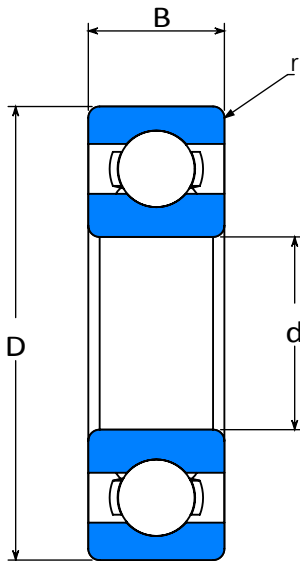
- \* Ring material: Standard AISI 52100 or 440 stainless steel equivalent
  - \* Closures: Open, steel shields, and seals
  - \* Radial clearance: C0 to C5, or as specified by the customer
  - \* Precision level: Abec 1 to Abec 5
  - \* Seal materials: NBR, EPDM, ACM, FKM and Silicone
  - \* Seal contact type: Non-contact, light, standard and tight contact
  - \* Bearing noise level: standard (i.e. Z1 or V1) to EMQ (Electric Motor Quality)
- Please consult WJB engineering group for your specific applications.



WJB Bearing No.	Bore d		Outer Diameter D		Width B		Radius r*		Basic Loading N		Weight (ref) kg
	mm	inch	mm	inch	mm	inch	mm	inch	Dynamic Co	Static Cor	
6709	45	1.7717	55	2.1654	6	0.2362	0.3	0.012	2593	2398	0.023
6809	45	1.7717	58	2.2835	7	0.2756	0.5	0.020	6312	5649	0.040
6909	45	1.7717	68	2.6772	12	0.4724	1.0	0.039	15124	11254	0.128
16009	45	1.7717	75	2.9528	10	0.3937	0.6	0.024	14875	11352	0.166
6009	45	1.7717	75	2.9528	16	0.6299	1.0	0.039	20907	15124	0.245
63009	45	1.7717	75	2.9528	23	0.9055	1.5	0.059	15658	13015	0.344
6209	45	1.7717	85	3.3465	19	0.7480	1.1	0.043	32694	20462	0.407
M6209	45	1.7717	85	3.3465	19	0.7480	2.0	0.079	44037	31805	0.454
62209	45	1.7717	85	3.3465	23	0.9055	2.0	0.079	22508	15658	0.484
W6209	45	1.7717	85	3.3465	30.2	1.1890	1.1	0.043	22552	15689	0.667
6309	45	1.7717	100	3.9370	25	0.9843	1.5	0.059	52934	32027	0.835
M6309	45	1.7717	100	3.9370	25	0.9843	2.5	0.098	65389	44037	0.953
62309	45	1.7717	100	3.9370	36	1.4173	2.5	0.098	37187	27401	1.19
W6309	45	1.7717	100	3.9370	39.7	1.5630	1.5	0.059	37263	27454	1.31
6409	45	1.7717	120	4.7244	29	1.1417	2.0	0.079	76954	44927	1.55

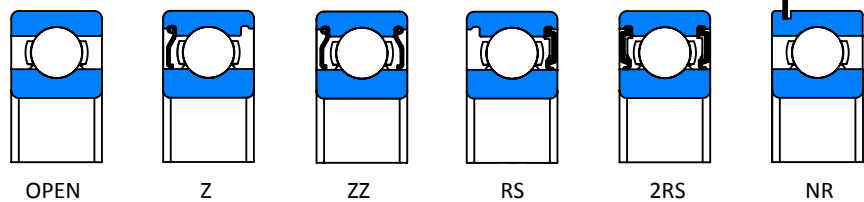
\* Maximum fillet which corner radius of bearing will clear.

## Deep Groove Ball Bearings (50mm)



This 6000 bearing series is available with various configurations and material:

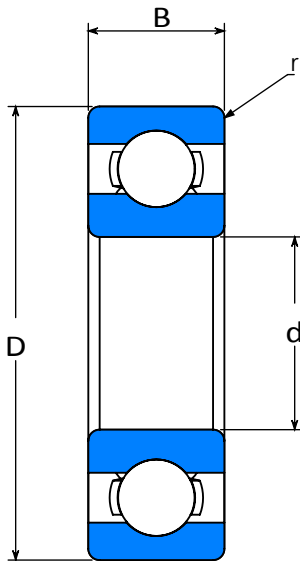
- \* Ring material: Standard AISI 52100 or 440 stainless steel equivalent
  - \* Closures: Open, steel shields, and seals
  - \* Radial clearance: C0 to C5, or as specified by the customer
  - \* Precision level: Abec 1 to Abec 5
  - \* Seal materials: NBR, EPDM, ACM, FKM and Silicone
  - \* Seal contact type: Non-contact, light, standard and tight contact
  - \* Bearing noise level: standard (i.e. Z1 or V1) to EMQ (Electric Motor Quality)
- Please consult WJB engineering group for your specific applications.



WJB Bearing No.	Bore d		Outer Diameter D		Width B		Radius r*		Basic Loading N		Weight (ref) kg
	mm	inch	mm	inch	mm	inch	mm	inch	Dynamic Co	Static Cor	
6810	50	1.9685	65	2.5591	7	0.2756	0.5	0.020	6583	6094	0.052
6910	50	1.9685	72	2.8346	12	0.4724	1.0	0.039	15569	12233	0.132
16010	50	1.9685	80	3.1496	10	0.3937	0.6	0.024	15364	12330	0.175
6010	50	1.9685	80	3.1496	16	0.6299	1.0	0.039	21796	16681	0.261
63010	50	1.9685	80	3.1496	23	0.9055	1.5	0.059	16538	12233	0.369
6210	50	1.9685	90	3.5433	20	0.7874	1.1	0.043	35141	23131	0.463
M6210	50	1.9685	90	3.5433	20	0.7874	2.0	0.079	45817	34919	0.499
62210	50	1.9685	90	3.5433	23	0.9055	2.0	0.079	24465	18104	0.534
W6210	50	1.9685	90	3.5433	30.2	1.1890	1.1	0.043	24514	18140	0.767
6310	50	1.9685	110	4.3307	27	1.0630	2.0	0.079	61830	38255	1.07
M6310	50	1.9685	110	4.3307	27	1.0630	3.0	0.118	76509	52489	1.22
W6310	50	1.9685	110	4.3307	44.4	1.7480	2.0	0.079	61830	37988	1.70
6410	50	1.9685	130	5.1181	31	1.2205	2.0	0.079	83182	49375	1.91

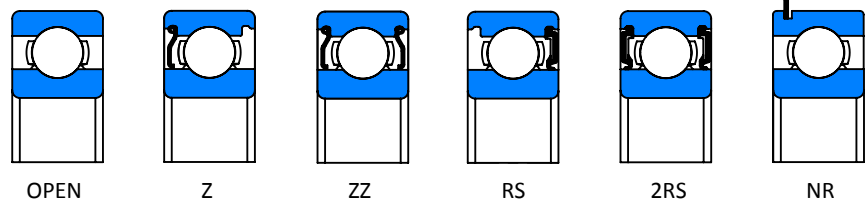
\* Maximum fillet which corner radius of bearing will clear.

## Deep Groove Ball Bearings (55-60mm)



This 6000 bearing series is available with various configurations and material:

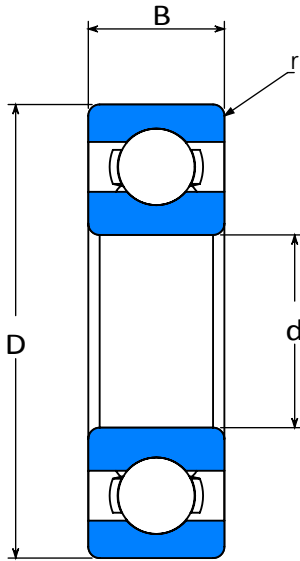
- \* Ring material: Standard AISI 52100 or 440 stainless steel equivalent
  - \* Closures: Open, steel shields, and seals
  - \* Radial clearance: C0 to C5, or as specified by the customer
  - \* Precision level: Abec 1 to Abec 5
  - \* Seal materials: NBR, EPDM, ACM, FKM and Silicone
  - \* Seal contact type: Non-contact, light, standard and tight contact
  - \* Bearing noise level: standard (i.e. Z1 or V1) to EMQ (Electric Motor Quality)
- Please consult WJB engineering group for your specific applications.



WJB Bearing No.	Bore d		Outer Diameter D		Width B		Radius r*		Basic Loading N		Weight (ref) kg
	mm	inch	mm	inch	mm	inch	mm	inch	Dynamic Co	Static Cor	
6811	55	2.1654	72	2.8346	9	0.3543	0.5	0.020	8807	8096	0.083
6911	55	2.1654	80	3.1496	13	0.5118	1.5	0.059	16014	13256	0.180
16011	55	2.1654	90	3.5433	11	0.4331	0.6	0.024	19376	16245	0.256
6011	55	2.1654	90	3.5433	18	0.7087	1.1	0.043	28246	21351	0.385
6211	55	2.1654	100	3.9370	21	0.8268	1.5	0.059	43370	29136	0.608
M6211	55	2.1654	100	3.9370	21	0.8268	2.5	0.098	56937	43815	0.680
W6211	55	2.1654	100	3.9370	33.3	1.3110	1.5	0.059	39678	29002	0.925
6311	55	2.1654	120	4.7244	29	1.1417	2.0	0.079	71616	44927	1.37
M6311	55	2.1654	120	4.7244	29	1.1417	3.0	0.118	93857	67613	1.55
W6311	55	2.1654	120	4.7244	49.2	1.9370	2.0	0.079	76065	44927	2.32
6411	55	2.1654	140	5.5118	33	1.2992	1.0	0.039	88964	53823	2.33
6812	60	2.3622	78	3.0709	10	0.3937	0.5	0.020	11476	10587	0.106
6912	60	2.3622	85	3.3465	13	0.5118	1.5	0.059	16458	14234	0.193
16012	60	2.3622	95	3.7402	11	0.4331	0.6	0.024	19964	17419	0.280
6012	60	2.3622	95	3.7402	18	0.7087	1.1	0.043	29358	23131	0.415
6212	60	2.3622	110	4.3307	22	0.8661	1.5	0.059	52489	36253	0.785
M6212	60	2.3622	110	4.3307	22	0.8661	2.5	0.098	68947	54268	0.862
W6212	60	2.3622	110	4.3307	36.5	1.4370	1.5	0.059	50977	36498	1.27
6312	60	2.3622	130	5.1181	31	1.2205	2.1	0.083	81847	52044	1.70
M6312	60	2.3622	130	5.1181	31	1.2205	3.5	0.138	107202	78289	1.91
W6312	60	2.3622	130	5.1181	54	2.1260	2.1	0.083	81847	52044	2.95
6412	60	2.3622	150	5.9055	35	1.3780	2.0	0.079	101864	64054	2.82

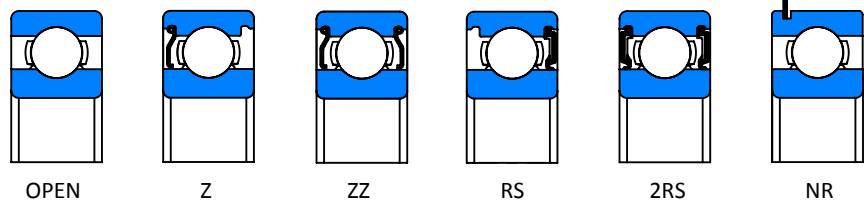
\* Maximum fillet which corner radius of bearing will clear.

# Deep Groove Ball Bearings (65-70mm)



This 6000 bearing series is available with various configurations and material:

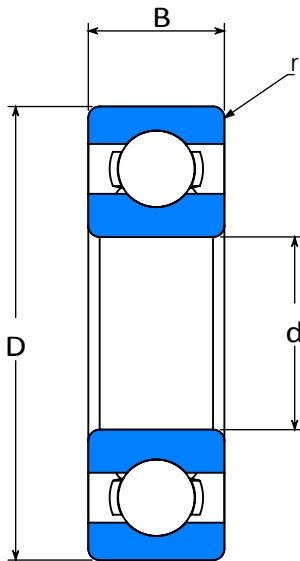
- \* Ring material: Standard AISI 52100 or 440 stainless steel equivalent
  - \* Closures: Open, steel shields, and seals
  - \* Radial clearance: C0 to C5, or as specified by the customer
  - \* Precision level: Abec 1 to Abec 5
  - \* Seal materials: NBR, EPDM, ACM, FKM and Silicone
  - \* Seal contact type: Non-contact, light, standard and tight contact
  - \* Bearing noise level: standard (i.e. Z1 or V1) to EMQ (Electric Motor Quality)
- Please consult WJB engineering group for your specific applications.



WJB Bearing No.	Bore d		Outer Diameter D		Width B		Radius r*		Basic Loading N		Weight (ref) kg
	mm	inch	mm	inch	mm	inch	mm	inch	Dynamic Co	Static Cor	
6813	65	2.5591	85	3.3465	10	0.3937	1.0	0.039	11610	11032	0.127
6913	65	2.5591	90	3.5433	13	0.5118	1.5	0.059	17304	16058	0.206
16013	65	2.5591	100	3.9370	11	0.4331	0.6	0.024	20453	18691	0.299
6013	65	2.5591	100	3.9370	18	0.7087	1.1	0.043	30470	25132	0.435
6213	65	2.5591	120	4.7244	23	0.9055	1.5	0.059	57382	40034	0.989
M6213	65	2.5591	120	4.7244	23	0.9055	2.5	0.098	75175	60051	1.09
W6213	65	2.5591	120	4.7244	38.1	1.5000	1.5	0.059	62275	43993	1.58
6313	65	2.5591	140	5.5118	33	1.2992	2.1	0.083	92523	59606	2.08
M6313	65	2.5591	140	5.5118	33	1.2992	3.5	0.138	121436	89854	2.35
W6313	65	2.5591	140	5.5118	58.7	2.3110	2.1	0.083	92078	60051	3.71
6413	65	2.5591	160	6.2992	37	1.4567	2.0	0.079	110761	72061	3.37
6814	70	2.7559	90	3.5433	10	0.3937	1.0	0.039	12099	11921	0.137
6914	70	2.7559	100	3.9370	16	0.6299	1.5	0.059	23798	21129	0.334
16014	70	2.7559	110	4.3307	13	0.5118	0.6	0.024	26716	23584	0.436
6014	70	2.7559	110	4.3307	20	0.7874	1.1	0.043	38032	30915	0.603
6214	70	2.7559	125	4.9213	24	0.9449	1.5	0.059	62275	44037	1.07
M6214	70	2.7559	125	4.9213	24	0.9449	2.5	0.098	81402	66279	1.18
W6214	70	2.7559	125	4.9213	39.7	1.5630	1.5	0.059	62275	43993	1.74
6314	70	2.7559	150	5.9055	35	1.3780	2.1	0.083	104088	68058	2.52
M6314	70	2.7559	150	5.9055	35	1.3780	3.5	0.138	135671	102309	2.94
W6314	70	2.7559	150	5.9055	63.5	2.5000	2.1	0.083	104088	68058	4.76
6414	70	2.7559	180	7.0866	42	1.6535	2.5	0.098	128109	89409	4.99

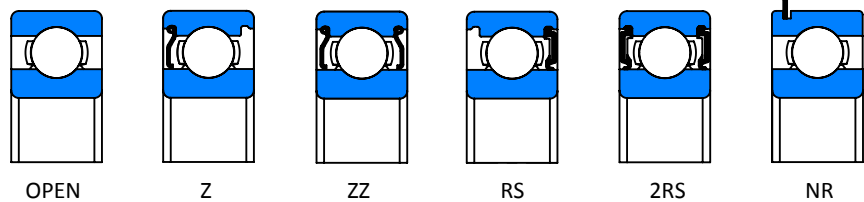
\* Maximum fillet which corner radius of bearing will clear.

## Deep Groove Ball Bearings (75-80mm)



This 6000 bearing series is available with various configurations and material:

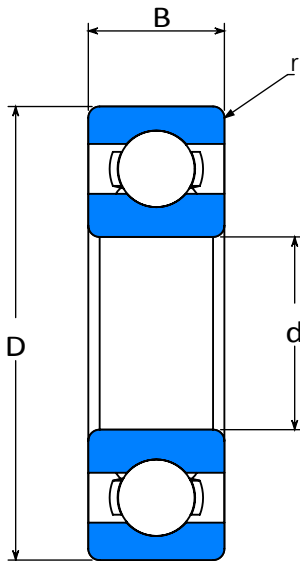
- \* Ring material: Standard AISI 52100 or 440 stainless steel equivalent
  - \* Closures: Open, steel shields, and seals
  - \* Radial clearance: C0 to C5, or as specified by the customer
  - \* Precision level: Abec 1 to Abec 5
  - \* Seal materials: NBR, EPDM, ACM, FKM and Silicone
  - \* Seal contact type: Non-contact, light, standard and tight contact
  - \* Bearing noise level: standard (i.e. Z1 or V1) to EMQ (Electric Motor Quality)
- Please consult WJB engineering group for your specific applications.



WJB Bearing No.	Bore d		Outer Diameter D		Width B		Radius r*		Basic Loading N		Weight (ref) kg
	mm	inch	mm	inch	mm	inch	mm	inch	Dynamic Co	Static Cor	
6815	75	2.9528	95	3.7402	10	0.3937	1.0	0.039	12544	12855	0.145
6915	75	2.9528	105	4.1339	16	0.6299	1.5	0.059	24465	22686	0.353
16015	75	2.9528	115	4.5276	13	0.5118	0.6	0.024	27597	25248	0.462
6015	75	2.9528	115	4.5276	20	0.7874	1.1	0.043	39589	33584	0.640
6215	75	2.9528	130	5.1181	25	0.9843	1.5	0.059	66279	49375	1.18
M6215	75	2.9528	130	5.1181	25	0.9843	2.5	0.098	84961	71616	1.27
W6215	75	2.9528	130	5.1181	41.3	1.6260	1.5	0.059	70059	48463	1.90
6315	75	2.9528	160	6.2992	37	1.4567	2.1	0.083	113430	77399	3.02
M6315	75	2.9528	160	6.2992	37	1.4567	3.5	0.138	149015	115654	3.59
W6315	75	2.9528	160	6.2992	68.3	2.6890	2.1	0.083	120992	77844	5.49
6415	75	2.9528	190	7.4803	45	1.7717	2.5	0.098	137895	99195	5.94
6816	80	3.1496	100	3.9370	10	0.3937	1.0	0.039	12677	13300	0.153
6916	80	3.1496	110	4.3307	16	0.6299	2.0	0.079	24910	24020	0.373
6016	80	3.1496	125	4.9213	22	0.8661	1.1	0.043	47596	39812	0.848
6216	80	3.1496	140	5.5118	26	1.0236	2.0	0.079	72506	52934	1.40
M6216	80	3.1496	140	5.5118	26	1.0236	3.0	0.118	99640	84961	1.59
W6216	80	3.1496	140	5.5118	44	1.7480	2.0	0.079	77844	52934	2.39
6316	80	3.1496	170	6.6929	39	1.5354	2.1	0.083	122771	86740	3.59
M6316	80	3.1496	170	6.6929	39	1.5354	3.5	0.138	160136	129888	3.94
W6316	80	3.1496	170	6.6929	68	2.6890	2.1	0.083	133002	95192	6.08
6416	80	3.1496	200	7.8740	48	1.8898	2.5	0.098	164584	125440	6.94

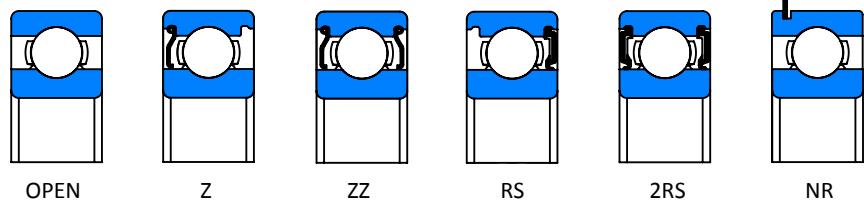
\* Maximum fillet which corner radius of bearing will clear.

## Deep Groove Ball Bearings (85-90mm)



This 6000 bearing series is available with various configurations and material:

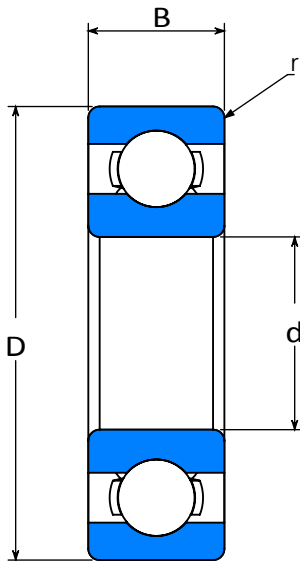
- \* Ring material: Standard AISI 52100 or 440 stainless steel equivalent
  - \* Closures: Open, steel shields, and seals
  - \* Radial clearance: C0 to C5, or as specified by the customer
  - \* Precision level: Abec 1 to Abec 5
  - \* Seal materials: NBR, EPDM, ACM, FKM and Silicone
  - \* Seal contact type: Non-contact, light, standard and tight contact
  - \* Bearing noise level: standard (i.e. Z1 or V1) to EMQ (Electric Motor Quality)
- Please consult WJB engineering group for your specific applications.



WJB Bearing No.	Bore d		Outer Diameter D		Width B		Radius r*		Basic Loading N		Weight (ref) kg
	mm	inch	mm	inch	mm	inch	mm	inch	Dynamic Co	Static Cor	
6817	85	3.3465	110	4.3307	13	0.5118	1.5	0.059	18683	18905	0.269
6917	85	3.3465	120	4.7244	18	0.7087	2.0	0.079	32027	29581	0.535
6017	85	3.3465	130	5.1181	22	0.8661	1.1	0.043	49375	43148	0.889
6217	85	3.3465	150	5.9055	28	1.1024	2.0	0.079	83182	63610	1.79
M6217	85	3.3465	150	5.9055	28	1.1024	3.0	0.118	106757	92523	2.04
6317	85	3.3465	180	7.0866	41	1.6142	3.0	0.118	132557	96971	4.23
M6317	85	3.3465	180	7.0866	41	1.6142	4.0	0.157	173481	144567	4.67
6417	85	3.3465	210	8.2677	52	2.0472	3.0	0.118	164584	127664	8.53
6818	90	3.5433	115	4.5276	13	0.5118	1.5	0.059	18905	19795	0.284
6918	90	3.5433	125	4.9213	18	0.7087	2.0	0.079	32783	31315	0.553
6018	90	3.5433	140	5.5118	24	0.9449	1.5	0.059	58272	49820	1.16
6218	90	3.5433	160	6.2992	30	1.1811	2.0	0.079	96082	71616	2.15
M6218	90	3.5433	160	6.2992	30	1.1811	3.0	0.118	131223	114319	2.49
6318	90	3.5433	190	7.4803	43	1.6929	3.0	0.118	142343	107202	4.90
M6318	90	3.5433	190	7.4803	43	1.6929	4.0	0.157	186825	160136	5.90
6418	90	3.5433	225	8.8583	54	2.1260	3.0	0.118	184601	157912	11.52

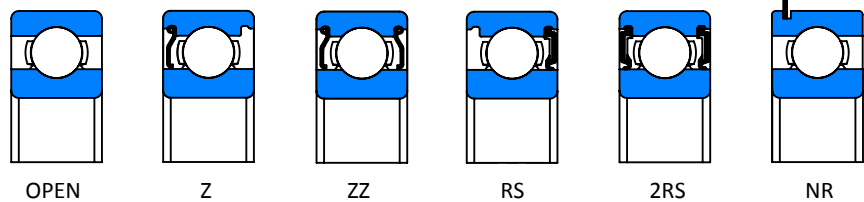
\* Maximum fillet which corner radius of bearing will clear.

## Deep Groove Ball Bearings (95-110mm)



This 6000 bearing series is available with various configurations and material:

- \* Ring material: Standard AISI 52100 or 440 stainless steel equivalent
  - \* Closures: Open, steel shields, and seals
  - \* Radial clearance: C0 to C5, or as specified by the customer
  - \* Precision level: Abec 1 to Abec 5
  - \* Seal materials: NBR, EPDM, ACM, FKM and Silicone
  - \* Seal contact type: Non-contact, light, standard and tight contact
  - \* Bearing noise level: standard (i.e. Z1 or V1) to EMQ (Electric Motor Quality)
- Please consult WJB engineering group for your specific applications.



WJB Bearing No.	Bore d		Outer Diameter D		Width B		Radius r*		Basic Loading N		Weight (ref) kg
	mm	inch	mm	inch	mm	inch	mm	inch	Dynamic Co	Static Cor	
6819	95	3.7402	120	4.7244	13	0.5118	1.5	0.059	19350	20684	0.299
6919	95	3.7402	130	5.1181	18	0.7087	2.0	0.079	33584	33584	0.581
6019	95	3.7402	145	5.7087	24	0.9449	1.5	0.059	60496	53823	1.21
6219	95	3.7402	170	6.6929	32	1.2598	2.1	0.083	108981	81847	2.62
M6219	95	3.7402	170	6.6929	32	1.2598	3.5	0.138	142343	122771	3.09
6319	95	3.7402	200	7.8740	45	1.7717	3.0	0.118	153464	118323	5.67
M6319	95	3.7402	200	7.8740	45	1.7717	4.0	0.157	200170	177929	6.80
6820	100	3.9370	125	4.9213	13	0.5118	1.5	0.059	19572	21129	0.303
6920	100	3.9370	140	5.5118	20	0.7874	2.0	0.079	41146	39589	0.785
6220	100	3.9370	180	7.0866	34	1.3386	2.1	0.083	122326	92968	3.14
M6220	100	3.9370	180	7.0866	34	1.3386	3.5	0.138	160136	140119	3.64
6320	100	3.9370	215	8.4646	47	1.8504	3.0	0.118	173481	140119	6.99
M6320	100	3.9370	215	8.4646	47	1.8504	4.0	0.157	226859	211291	8.30
6021	105	4.1339	160	6.2992	26	1.0236	2.0	0.079	72506	65834	1.59
6221	105	4.1339	190	7.4803	36	1.4173	2.1	0.083	133002	104533	3.70
6321	105	4.1339	225	8.8583	49	1.9291	3.0	0.118	184601	153464	8.03
6022	110	4.3307	170	6.6929	28	1.1024	2.0	0.079	81847	72951	1.96
6222	110	4.3307	200	7.8740	38	1.4961	2.1	0.083	144567	116988	4.36
6322	110	4.3307	240	9.4488	50	1.9685	3.0	0.118	177929	180153	9.53
M6222	110	4.3307	200	7.8740	38	1.4961	3.5	0.138	189049	175705	5.13
M6322	110	4.3307	240	9.4488	50	1.9685	4.0	0.157	269117	269117	11.02

\* Maximum fillet which corner radius of bearing will clear.

For bearing bore larger than 120mm, please contact WJB customer service or engineering group for availability





**WJB Headquarters**

535 Brea Canyon Road  
City of Industry, CA 91789  
Phone: 909.598.6238

**WJB North Carolina**

725 Shea road  
Newton, NC 28658  
Phone: 828.353.0091

Fax: 909.598.7939

Toll Free: 800.572.1688

Email: [info@wjbgroup.com](mailto:info@wjbgroup.com)

[www.wjbgroup.com](http://www.wjbgroup.com)

